

API Bottom Loading Arm HL32F, HSL32F

FEATURES AND BENEFITS

OPW bottom loading arms are designed to accommodate the widest range of possible working envelopes. The working envelope, in which the adaptors on the tank truck are positioned, is described in the API 1004 RP. Regardless of tank truck layout, as long as it is according to API 1004 RP, OPW bottom loading arms can be connected to any of the truck adaptors, and work simultaneously. This important aspect, one of the major advantages of bottom loading, is the result of the comprehensive OPW loading arm design. It allows to load multiple compartments with different petroleum products efficiently at the same time.

OPW bottom loading arms are available in many different configurations to accommodate specific customer requirements. Model HSL32F is equipped with an additional drop hose swivel for added flexibility and increased hose life.



- **Easy to handle**, smooth operation
- **Proven design** OPW loading arms are used by major oil terminals worldwide
- **All flanged construction** for ease of maintenance
- **Swivels** equipped with grease nipple
- **Durable** construction
- **Composite** drop hose as standard, stainless steel or rubber hoses optionally available
- **Wide range** of alternative seal materials available
- **Equipped** with OPW's unique API coupler model 1005E3-0402
- **Standard** with linear spring, optional torsion spring available (model HT/HST)
- **Pre-balanced** at the factory to minimize installation and commissioning time

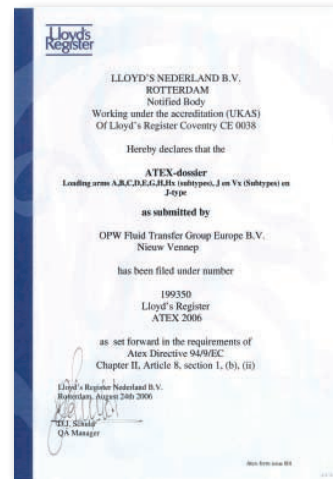
CERTIFICATES



NEN-EN-ISO 9001:2000



PED 97/23/EC



ATEX 94/9/EC

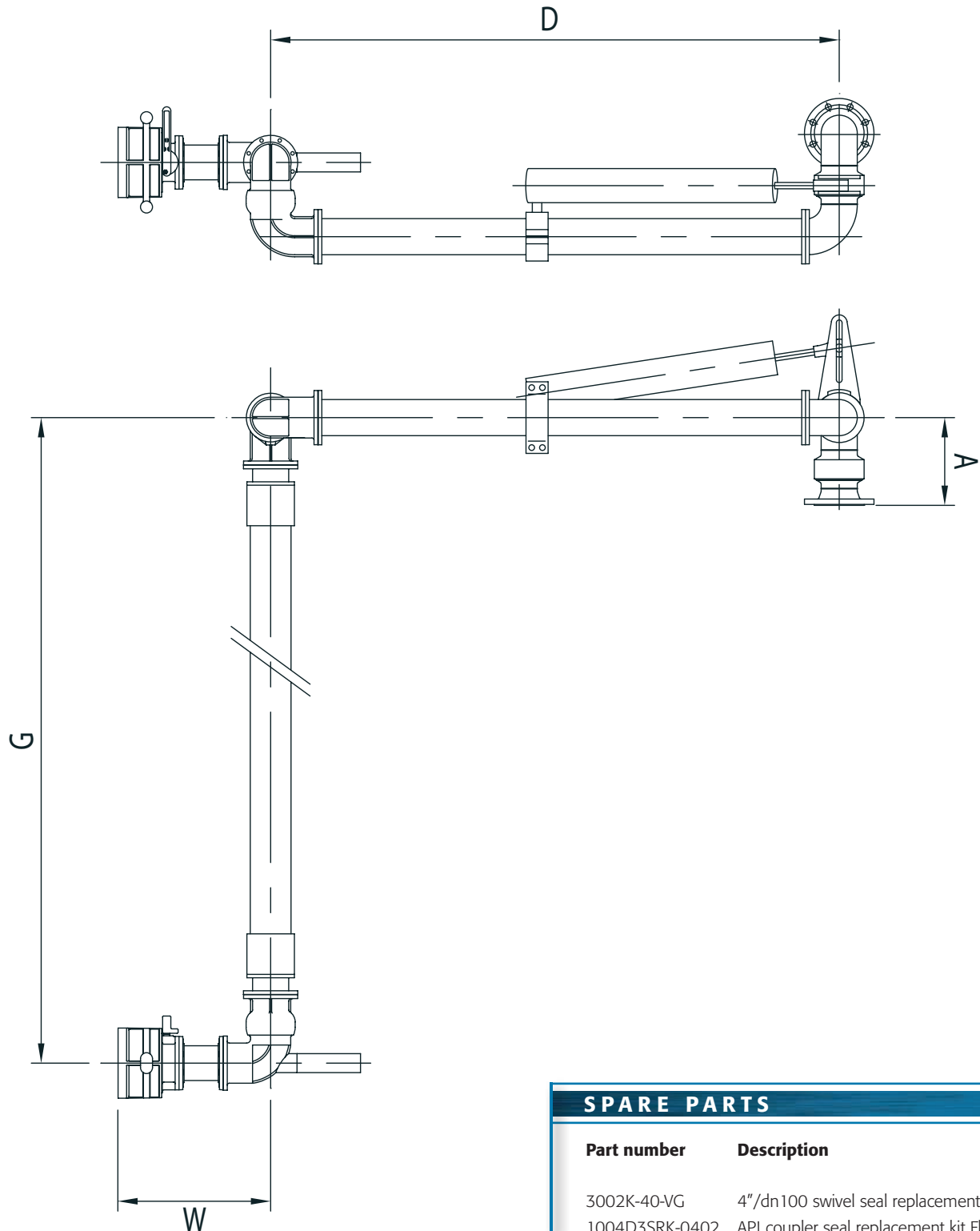
PRODUCT SPECIFICATION

Materials of construction

Inlet swivel	Carbon Steel
Drop hose swivel	Aluminium
End swivel	Aluminium
Swivel seals	Viton® GFLT
Primary arm	Carbon Steel
Drop hose	High quality Composite liquid hose
Coupler	Aluminium

DIMENSIONS

Size	Dimensions (in mm)				W
	A DIN	A ASA	D	G	
4" / dn100	280	300	1800	2570 min.	465
4" / dn100	280	300	1800	5770 max.	465
Other dimensions available on request					



SPARE PARTS

Part number	Description
3002K-40-VG	4" / dn100 swivel seal replacement kit, Viton® GFLT
1004D3SRK-0402	API coupler seal replacement kit Fluorocarbon

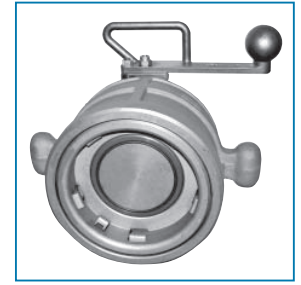
ACCESSORIES

Article number	Description
1004D4-0402	Semi automatic snap-on API coupler
1004DRN-0400	Drain adaptor
1005PA-AL40	Parking adaptor
PARST0007	Parking standpost
11240	Sight glass (11456 for ethanol applications)
429FTS-AL40	Check Valve
BAC-AL40-VI-FT	Break Away Coupler
RHC-40	Rack Hose Cover

Optional available accessories include: Stand Post; Position detection; Parking lock, and many more please consult factory for information and availability.



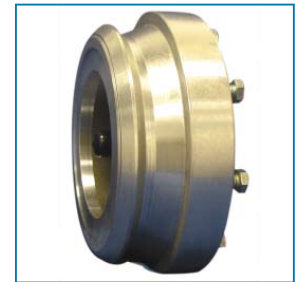
1004D4-0402



1005E3-0402



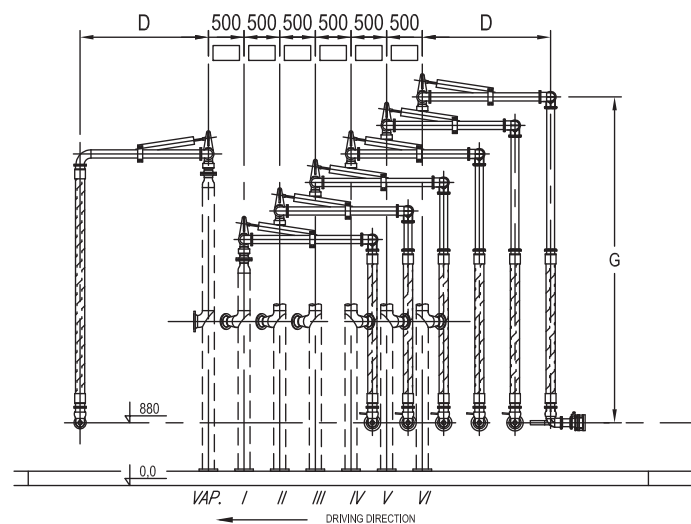
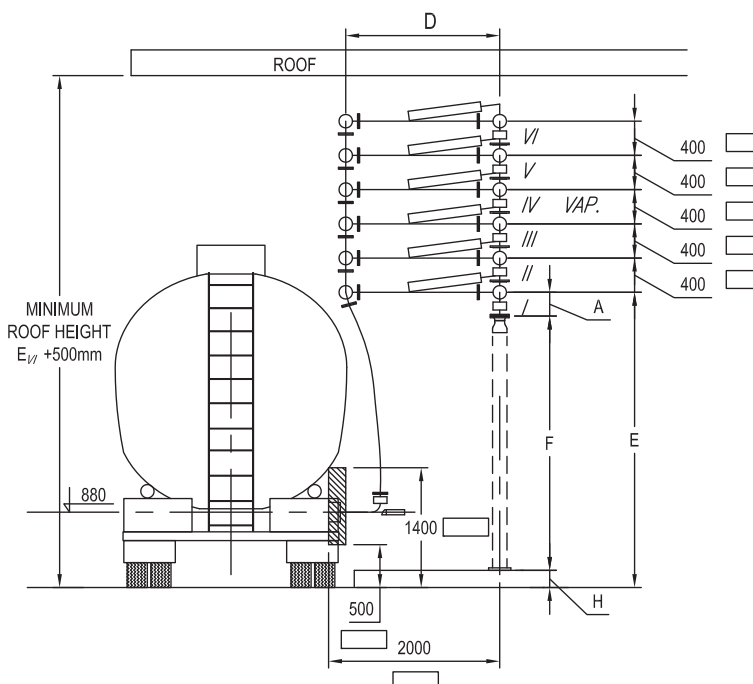
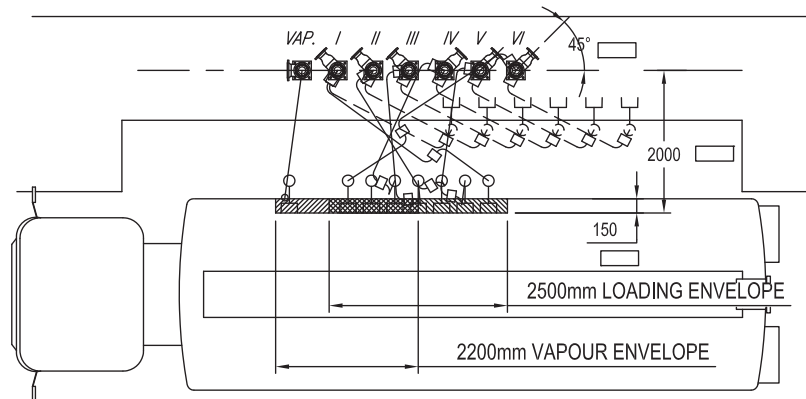
1004DRN-0400



1005PA-AL40

RELATED PRODUCTS

Article number	Description
VL32F / VSL32F	Vapour bottom unloading arm e/w 633CPP Vapour Coupler
HSLP32F	Long reach unsupported boom type bottom loading arm
8800E	Overfill Prevention and Ground Verification Controller to EN13922



OPW Fluid Transfer Group: One Company, Five Brands



Dedicated engineered and patented solutions for pipe, tube and hose connections used for extreme applications high/low temperature & pressure and nuclear.

Examples: RapidLOK[™] for flange replacement; save vents and drains; locking quick connect; product recovery systems; cryogenic couplings; autoclave check valves ...

www.hiltap.com



Mechanical and electronic components and systems for the safe loading, transportation and offloading of hazardous fluids on road tankers. Examples: flat bottom API's; bottom valves; vapour recover valves; overflow prevention system; sealed parcel delivery system; onboard monitoring system; crossover prevention system ...

www.civacon.com



Mechanical and electronic components and systems for the safe storage, transfer and loading of hazardous fluids at chemical plants, refineries and terminals.

Examples: loading arms for fuels, chemicals, bitumen; rack monitoring system; quick disconnects (kamlok[®], autolok[™]); dry disconnects (epsilon[™], drylok[™], kamvalok[®]); floating suction assemblies ...

www.opw-es.com



Components and systems for the safe loading, transportation and offloading of hazardous fluids and dry bulk on pressure & non-pressure railroad tank cars and dry bulk road tankers.

Examples: pressure & vacuum relief valves; needle valves; top transfer valves; valve actuator systems; overflow prevention systems ...

www.midlandmfg.net



Components for pneumatic tank trailers, rail cars, chemical and pharmaceutical plants, and any application requiring the processing, movement and storage of dry bulk or liquid materials.

Example: butterfly valves; ball valves; sample systems; actuators; aeration systems; swing check valves ...

www.suresealinc.com



From the European Head office near Amsterdam The Netherlands, these 5 OPW Fluid Transfer Group brands are supported. In addition Loading Arms, Tank Truck equipment and its related accessories are designed and manufactured here to serve the OPW FTG Europe BV territory.

www.opw-ftg.nl