

CARDEV

Product Datasheet

SDU-H350BM2

By-pass Oil Filter For Hydraulic Applications

- Oil cleanliness maintained at “better than new” levels.
Achievable result: ISO 4406: 13/11/8, NAS Class: 2
- Removes microparticles down to 1 micron and smaller
- Increases system reliability
- Prevents system corrosion
- Reduces component wear
- Extends oil life and generates CO₂ savings
- Reduces operating costs



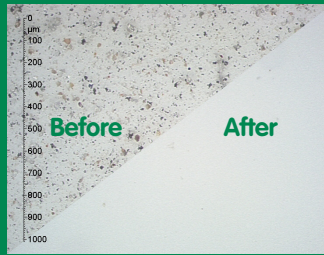
Results

Water Removed



Removes free and dissolved water down to < 50 ppm (0.005%)

Particles Removed



Oil cleanliness maintained at better than new levels (Down to 13/11/8 ISO 4406: 1999) - Class 2 (NAS 1638).

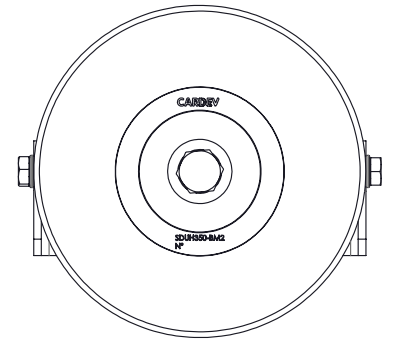
Features

- Over-pressure protection
- Removes microparticles
- Removes free and dissolved water contamination
- Increases system reliability
- Extends oil life and generates CO₂ saving
- Reduces operating costs

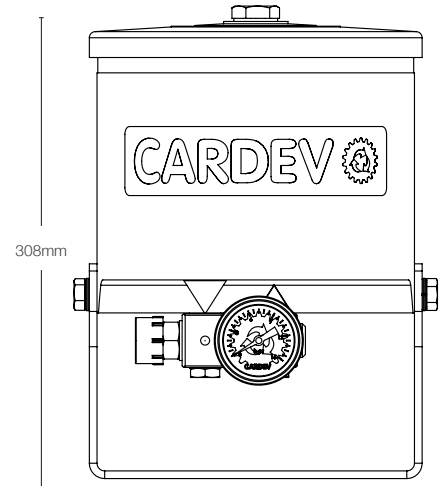
Application Examples

Suitable for all types of Industrial applications, e.g:

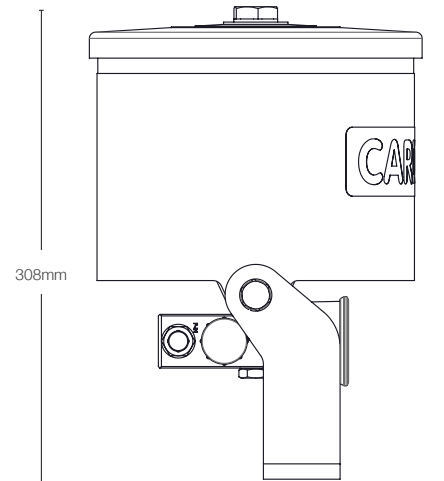
- Earth moving machines
- Forestry equipment
- Mobile cranes
- Drilling/piling equipment
- Static hydraulic systems



237mm



308mm



308mm

217mm

Recommended Installation	Flow rate through filter (l/h)**	Dimensions (mm)			Connections		Weight (kg)	Filter Element Type	Retention Capacity (per filter)	
		H	W	L	Inlet	Outlet			≤ 2.5 kg Dirt	≤ 0.78 Litres of Water
BY-PASS ONLY. Max. 3.50 bar inlet and 0.5 bar back pressure. Systems up to 400 litres.	120	308	237	217	1/4" BSP (m)	3/8" BSP (m)	9.4	SDFC	≤ 2.5 kg Dirt	≤ 0.78 Litres of Water

Note: Flow rates, oil cleanliness levels and moisture removal results are based on ISO VG 46 Mineral Oil @ 40°C.

ETL FluidExperts

ETL Fluid Experts Ltd
 Environmental Technologies Group Grimbald Crag Road Knaresborough North Yorkshire HG5 8PY United Kingdom
 T +44 (0)1423 522911 F +44 (0)1423 530043 E sales@etfe.com

www.etfluidexperts.com

The specification and photography is for reference only and may be subject to change. ETL Fluid Experts Ltd is part of the Environmental Technologies Group Ltd. All rights reserved.