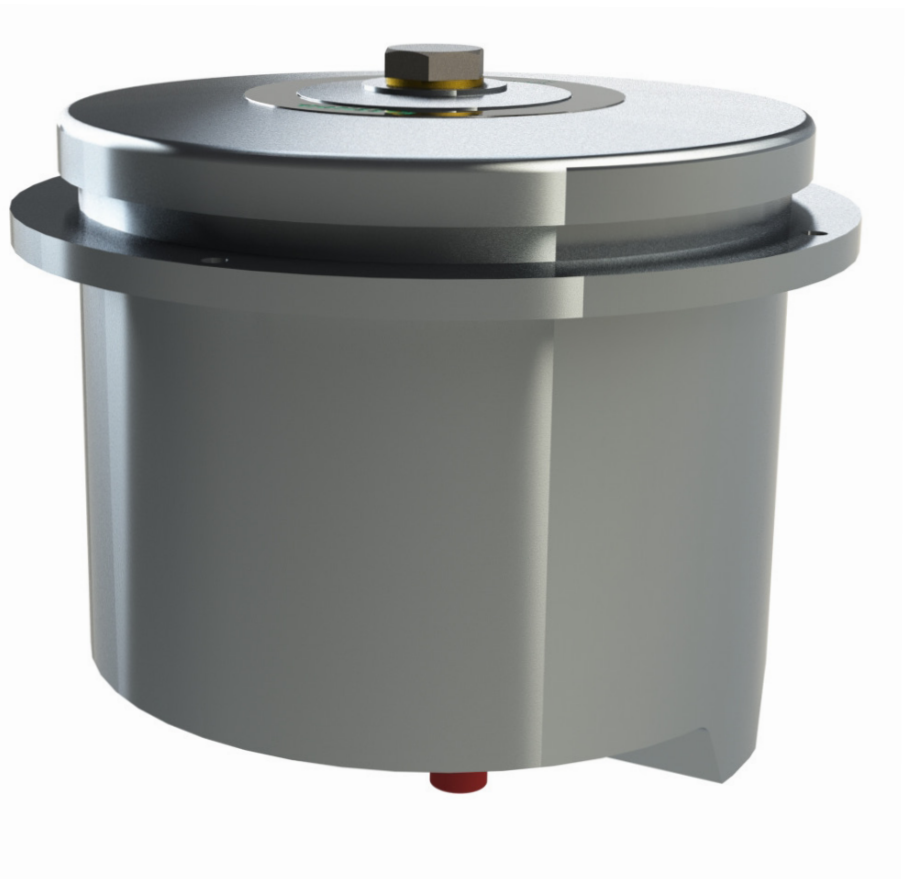




SDU-H8FL

By-pass Oil Filter

- Low profile surface mounted installation
- Removes microparticles
- Removes free and dissolved water contamination
- Increases system reliability
- Prevents system corrosion
- Reduces component wear
- Extends oil life
- Reduces operating costs



Results

- Up to 99.9% water removed (both free and dissolved water)
- Oil cleanliness maintained at "better than new*" levels



Before After
*(ISO 4406: 13/11/08, NAS Class: 2)

Features

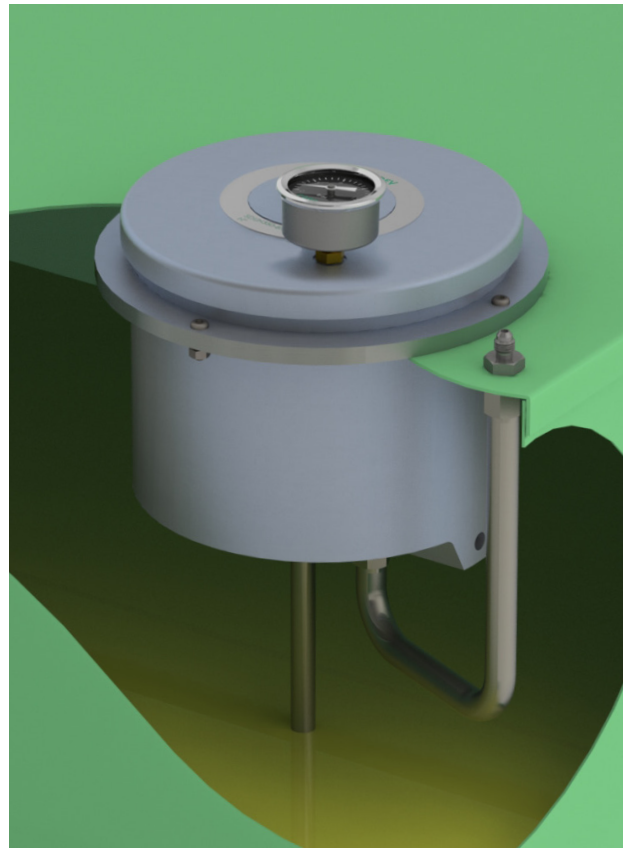
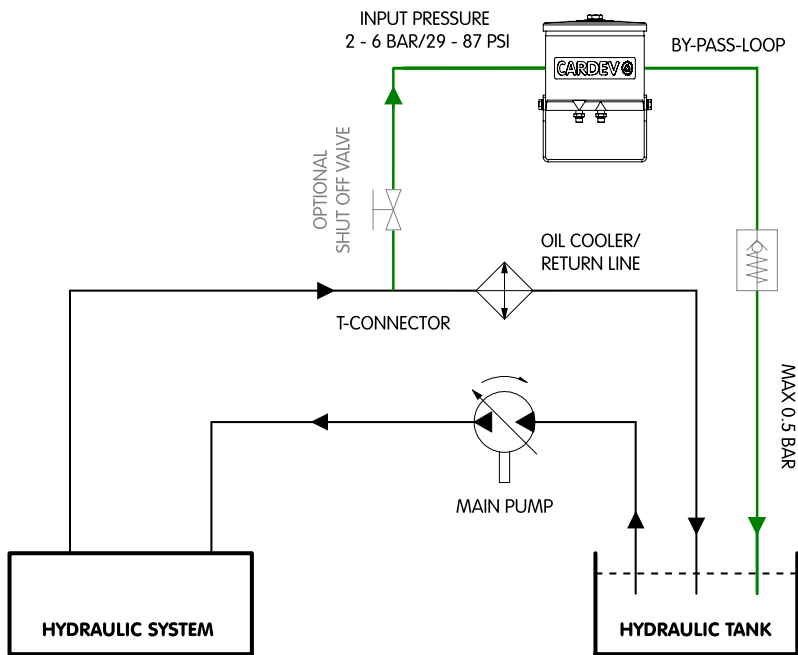
- Input pressure 2-6 Bar
- Filter designed to be surface mounted in a hydraulic tank for a simple, compact installation
- Designed to be surface mounted in a hydraulic tank for a simple, compact installation

Application Examples

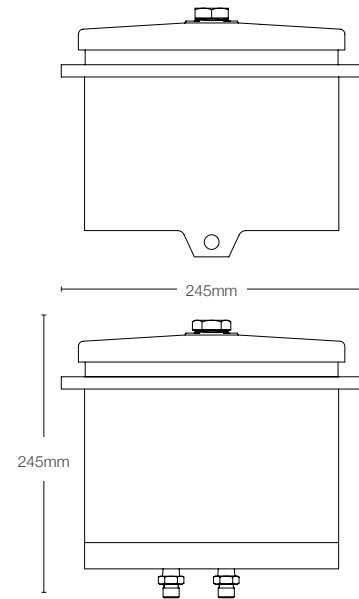
OEM tank installation

- Earth moving machines
- Forestry equipment
- Mobile cranes
- Drilling / piling equipment
- Static hydraulic systems

Installation Example



Installation image shows optional pressure gauge fitted



Recommended Installation	Flow rate through filter (l/hr)	Dimensions (mm)			Connections		Weight (kg)	Filter Element	Retention Capacity (per filter)	
		H	W	L	Inlet	Outlet			≤ 2.5 kg Dirt	≤ 0.78 Litres of Water
By-pass only. Max input pressure 2-6 Bar and 0.5 Bar back pressure. Systems up to 400 litres	120-240 (Max)	245	245	245	1/4" BSP (m)	1/4" BSP (m)	8	SDFC	≤ 2.5 kg Dirt	≤ 0.78 Litres of Water

Environmental Technologies Limited
Grimbald Crag Road Knaresborough HG5 8PY United Kingdom
T +44 (0)1423 522911 F +44 (0)1423 530043 E sales@env-t.com
www.env-t.com

The specification and photography above is for reference only and may be subject to change.
ETL, ETL Flow, ETL ConMon are trademarks of ETL Ltd. © 2015 Environmental Technologies Ltd. All rights reserved.

V04-15-05-15-ENG

