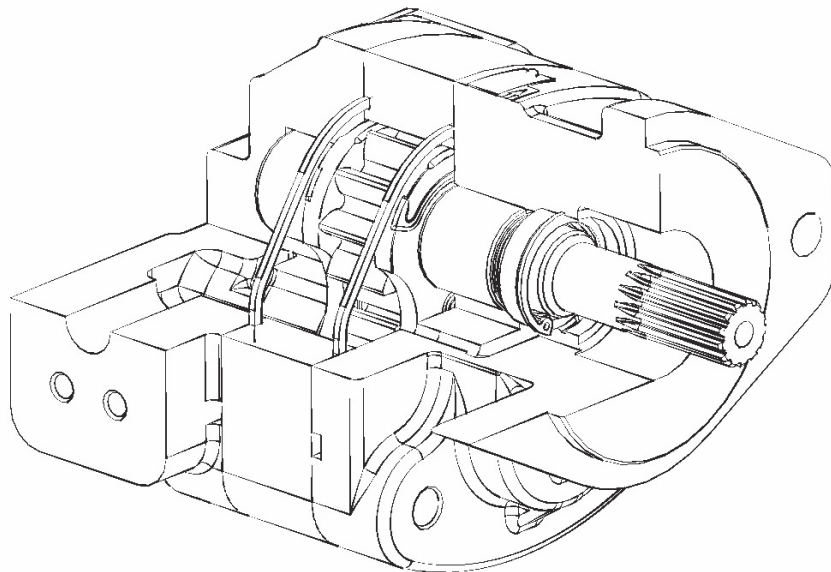


**Displacement** from 43 to 150 ccm  
**Pressure** up to 300 bar  
**Speed** from 350 to 3200 RPM

**GEAR PUMPS**  
**GHD2**

## TABLE OF CONTENTS

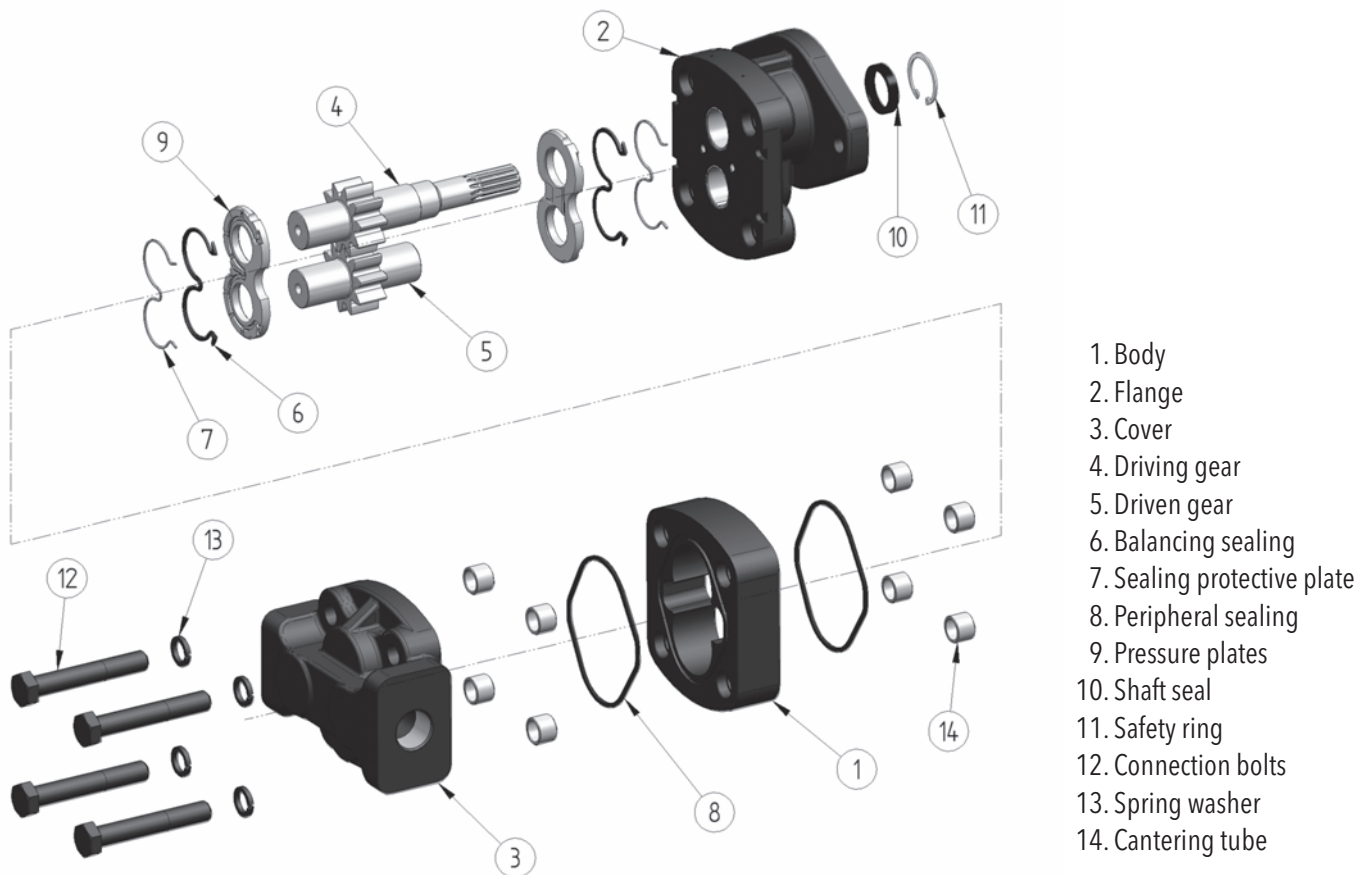
DESCRIPTION.....	2
BASIC PARTS OF PUMP.....	2
PARAMETER TABLE.....	3
FORMULAS USED FOR CALCULATION.....	4
PUMP EFFICIENCIES.....	4
WORKING LIQUID.....	5
PRESSURE LOAD.....	5
OTHER REQUIREMENTS.....	6
DIRECTION OF ROTATION.....	6
REVERSIBLE DESIGN.....	6
GHD1 FLOW RATE AND POWER CURVES.....	7
GHD2 FLOW RATE AND POWER CURVES.....	9
ORDER KEY – SINGLE VERSION.....	10
ORDER KEY – MULTIPLE VERSION.....	11
COMBINATION OF FLANGES AND SHAFTS.....	12
FLANGE DESIGN.....	13
DRIVE SHAFTS.....	14
LIQUID INLET AND OUTLET CONNECTION.....	16
CATALOGUE SHEETS OF GHD2 SERIES BASIC DESIGN.....	18
NOTES.....	22



## DESCRIPTION

- GHD2 Series Pumps with external gearing for its massive cast iron construction are designed for the toughest operations in agricultural and construction equipment. GHD2 series covers a wide range displacement from 51 to 150 cm<sup>3</sup>.
- These pumps are characterized by a three-part, all-cast-iron structure: flange – body – cover. Bushings supporting gear studs are pressed into the flange and the cover. Gear wheels, which are optimised to achieve a low noise level, are made of ultra high-strength steel. Liquid inlet and outlet are located in the cover (thus, the body is not weakened by them and a higher pressure load is possible) from sides or axially in the cover. The axial power balancing is performed using sliding aluminium alloy pressure plates in which a shape sealing of balancing surface is located in grooves. The flange dimensions enable a design with a pre-shaft with bearings for a higher radial or axial load of the drive.
- The GHD2 pumps are produced in various designs of drives, clamping flanges as well as liquid inlets and outlets. These pumps comply with the standards ISO, SAE, UNI and other world-recognised standards, they can be delivered in one-way single-section as well as multiple-section designs. They can also be delivered in a reversible design, with external or internal drainage.

## BASIC PARTS OF PUMP



## PARAMETER TABLE

Nominal Size Parameters		Sym.	Unit	GHD2 51	GHD2 56	GHD2 61	GHD2 71	GHD2 82
Actual displacement		$V_g$	[cm <sup>3</sup> ]	51.81	56.52	61.23	71.83	82.43
Rotation speed	nominal	$n_n$	[min <sup>-1</sup> ]	1500	1500	1500	1500	1500
	minimum	$n_{min}$	[min <sup>-1</sup> ]	400	400	400	400	400
	maximum	$n_{max}$	[min <sup>-1</sup> ]	3200	3200	3200	3200	3000
Pressure at inlet*	minimum	$p_{1min}$	[bar]	-0.3	-0.3	-0.3	-0.3	-0.3
	maximum	$p_{1max}$	[bar]	0.5	0.5	0.5	0.5	0.5
Pressure at outlet**	max. continuous	$p_{2n}$	[bar]	280	280	270	260	260
	maximum	$p_{2max}$	[bar]	300	300	290	280	280
	peak	$p_3$	[bar]	310	310	300	290	290
Nominal flow rate (min.) at $n_n$ and $p_{2n}$		$Q_n$	[dm <sup>3</sup> .min <sup>-1</sup> ]	69.9	76.3	82.7	99.1	116.2
Maximum flow rate at $n_{max}$ a $p_{2max}$		$Q_{max}$	[dm <sup>3</sup> .min <sup>-1</sup> ]	162.5	177.2	192.0	225.3	242.3
Nominal input power (max.) at $n_n$ and $p_{2n}$		$P_n$	[kW]	44.8	48.8	51.0	56.4	63.3
Maximum input power at $n_{max}$ a $p_{2max}$		$P_{max}$	[kW]	94.0	102.5	107.4	121.6	130.8
Weight		$m$	[kg]	-	-	-	-	-

Nominal Size Parameters		Sym.	Unit	GHD2 90	GHD2 100	GHD2 110	GHD2 125	GHD2 150
Actual displacement		$V_g$	[cm <sup>3</sup> ]	90.67	100.09	110.69	125.99	150.72
Rotation speed	nominal	$n_n$	[min <sup>-1</sup> ]	1500	1500	1500	1500	1500
	minimum	$n_{min}$	[min <sup>-1</sup> ]	400	350	350	250	250
	maximum	$n_{max}$	[min <sup>-1</sup> ]	2800	2700	2600	2400	2000
Pressure at inlet*	minimum	$p_{1min}$	[bar]	-0.3	-0.3	-0.3	-0.3	-0.3
	maximum	$p_{1max}$	[bar]	0.5	0.5	0.5	0.5	0.5
Pressure at outlet**	max. continuous	$p_{2n}$	[bar]	240	230	210	190	170
	maximum	$p_{2max}$	[bar]	260	250	230	210	190
	peak	$p_3$	[bar]	270	260	240	220	200
Nominal flow rate (min.) at $n_n$ and $p_{2n}$		$Q_n$	[dm <sup>3</sup> .min <sup>-1</sup> ]	127.8	141.1	156.1	177.6	212.5
Maximum flow rate at $n_{max}$ a $p_{2max}$		$Q_{max}$	[dm <sup>3</sup> .min <sup>-1</sup> ]	248.8	264.8	282.0	296.3	295.4
Nominal input power (max.) at $n_n$ and $p_{2n}$		$P_n$	[kW]	64.3	68.0	68.7	70.7	75.7
Maximum input power at $n_{max}$ a $p_{2max}$		$P_{max}$	[kW]	124.7	127.7	125.1	120.0	108.2
Weight		$m$	[kg]	-	-	-	-	-

\* Inlet pressure in the reversible design can be up to  $p_1 = p_{2n} - 70$  bar max. External drainage must be used in case of the reversible design.

\*\* Outlet pressure in the reversible design is **10% lower** than shown in the table (depending on operating conditions - it is necessary to consult with the manufacturer).

## FORMULAS USED FOR CALCULATION

Flow rate  
 $Q$

$$Q = \frac{V_g \cdot n}{1000} \cdot \eta_v \quad [\text{dm}^3 \cdot \text{min}^{-1}]$$

$V_g$  [cm<sup>3</sup>] pump displacement  
 $n$  [min<sup>-1</sup>] rotation speed  
 $\eta_v$  [-] volumetric efficiency

Displacement  
 $V_g$

$$V_g = \frac{Q \cdot 1000}{n \cdot \eta_v} \quad [\text{cm}^3]$$

Torque  
 $M_k$

$$M_k = \frac{V_g \cdot p}{20 \cdot \pi \cdot \eta_m} \quad [\text{Nm}]$$

$p$  [bar] required pressure at outlet  
 $\eta_m$  [-] mechanical efficiency

Input power  
 $P$

$$P = \frac{V_g \cdot n \cdot p}{600 \cdot 1000 \cdot \eta_t} \quad [\text{kW}]$$

$\eta_t$  [-] total efficiency

## PUMP EFFICIENCIES

Volumetric efficiency

$\eta_v$

It determines the amount of flow losses. Its value is  $\eta_v = 0,92 \div 0,98$  (depending on rotation speed, viscosity of working liquid and outlet pressure). It can be expressed as follows:

$$\eta_v = \frac{Q_{act.}}{Q_{theor}} \quad [-]$$

$Q_{act.}$  [dm<sup>3</sup> · min<sup>-1</sup>] actual flow rate  
 $Q_{theor}$  [dm<sup>3</sup> · min<sup>-1</sup>] theoretical flow rate

Mechanical efficiency

$\eta_m$

It determines mechanical losses. Its value is about  $\eta_m = 0,85$ . It can be expressed as follows:

$$\eta_m = \frac{M_{theor}}{M_{act.}} \quad [-]$$

$M_{act.}$  [Nm] actual torque  
 $M_{theor}$  [Nm] theoretical torque

Total efficiency

$\eta_t$

It is defined as product of  $\eta_v$  and  $\eta_m$  and determines difference between theoretical and actual required input power:

$$\eta_t = \eta_v \cdot \eta_m = \frac{P_{theor}}{P_{act.}} \quad [-]$$

$P_{act.}$  [kW] actual input power  
 $P_{theor}$  [kW] theoretical input power

## WORKING LIQUID

- Mineral oils for hydraulic drives
- Hydraulic liquids based on plant oils suitable for hydraulic drives

### Liquid temperature

- $t = -20 \div +80$  [°C]  
when used with FKM (Viton) seal up to 120 [°C]

### Cinematic viscosity

- Recommended (during continuous operation):  $\nu = 20 \div 80 \cdot 10^{-6} [\text{m}^2 \cdot \text{s}^{-1}]$
- Maximum (cold starting, at viscosity  $>1000$ , operating pressure  $<10$  bar is permissible, speed  $<1500 \cdot \text{min}^{-1}$ ):  $\nu = 1200 \cdot 10^{-6} [\text{m}^2 \cdot \text{s}^{-1}]$
- Minimum (operating mode at  $10 \cdot 10^{-6}$  up  $20 \cdot 10^{-6}$  should be consulted with manufacturer):  $\nu = 10 \cdot 10^{-6} [\text{m}^2 \cdot \text{s}^{-1}]$

### Filtration coefficient $\beta_\alpha$

$\beta_{25\ 75} \geq$  (for pressure  $p_2 < 200$  bar)  
 $\beta_{10\ 75} \geq$  (for pressure  $p_2 > 200$  bar)

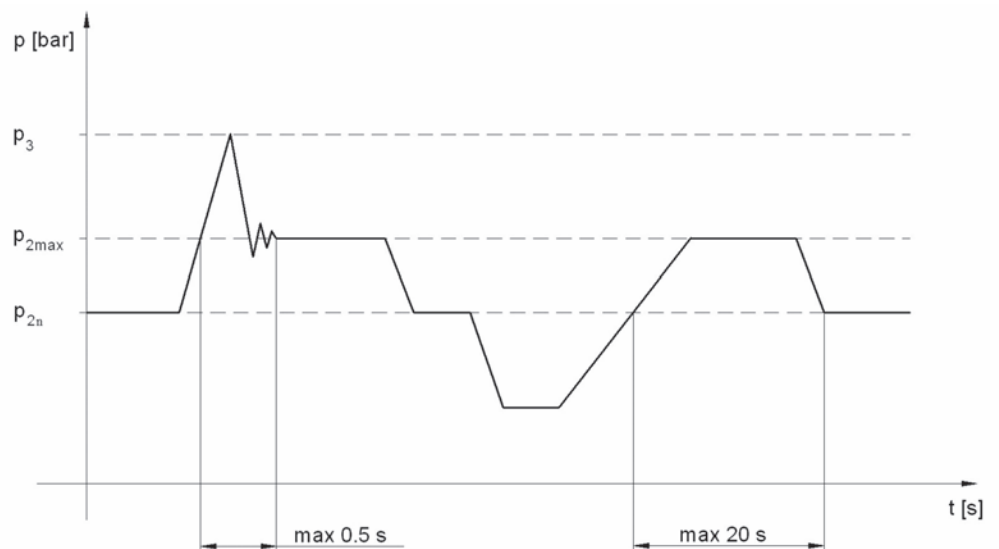
### Liquid contamination class according to ISO 4406

21/18/15 (for pressure  $p_2 < 200$  bar)  
20/17/14 (for pressure  $p_2 > 200$  bar)

### Liquid contamination class according to NAS 1638

10 (for pressure  $p_2 < 200$  bar)  
8 (for pressure  $p_2 > 200$  bar)

## PRESSURE LOAD



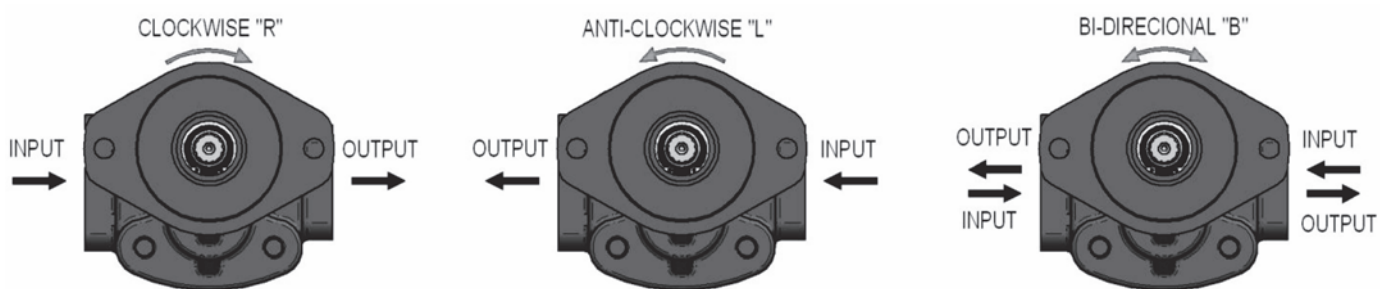
- $p_{2n}$  **max. contin. pressure** Max. working pressure, at which the pump can be operated without time limitation.
- $p_{2max}$  **max. pressure** Maximum pressure permissible for a short time, max. 20s.
- $p_3$  **peak pressure** Short-time pressure (fractions of a second) arising in case of a sudden change of the operating mode; any excess of this pressure during operation is impermissible.

## OTHER REQUIREMENTS

- A driving device must not generate an axial or a radial load of the pump shaft, unless this is exclusively permitted for the pump with a front-end bearing.
- All the matters affecting technical parameters and properties of the pump are given in respective operating manuals, technical specifications and test specifications of the manufacturer.

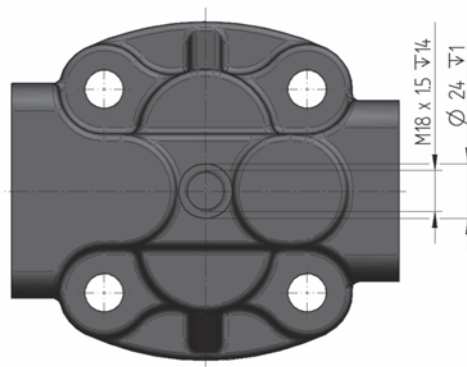
## DIRECTION OF ROTATION

- Determine direction of rotation by looking at the drive shaft. The pump can only be used in the specified direction of rotation.



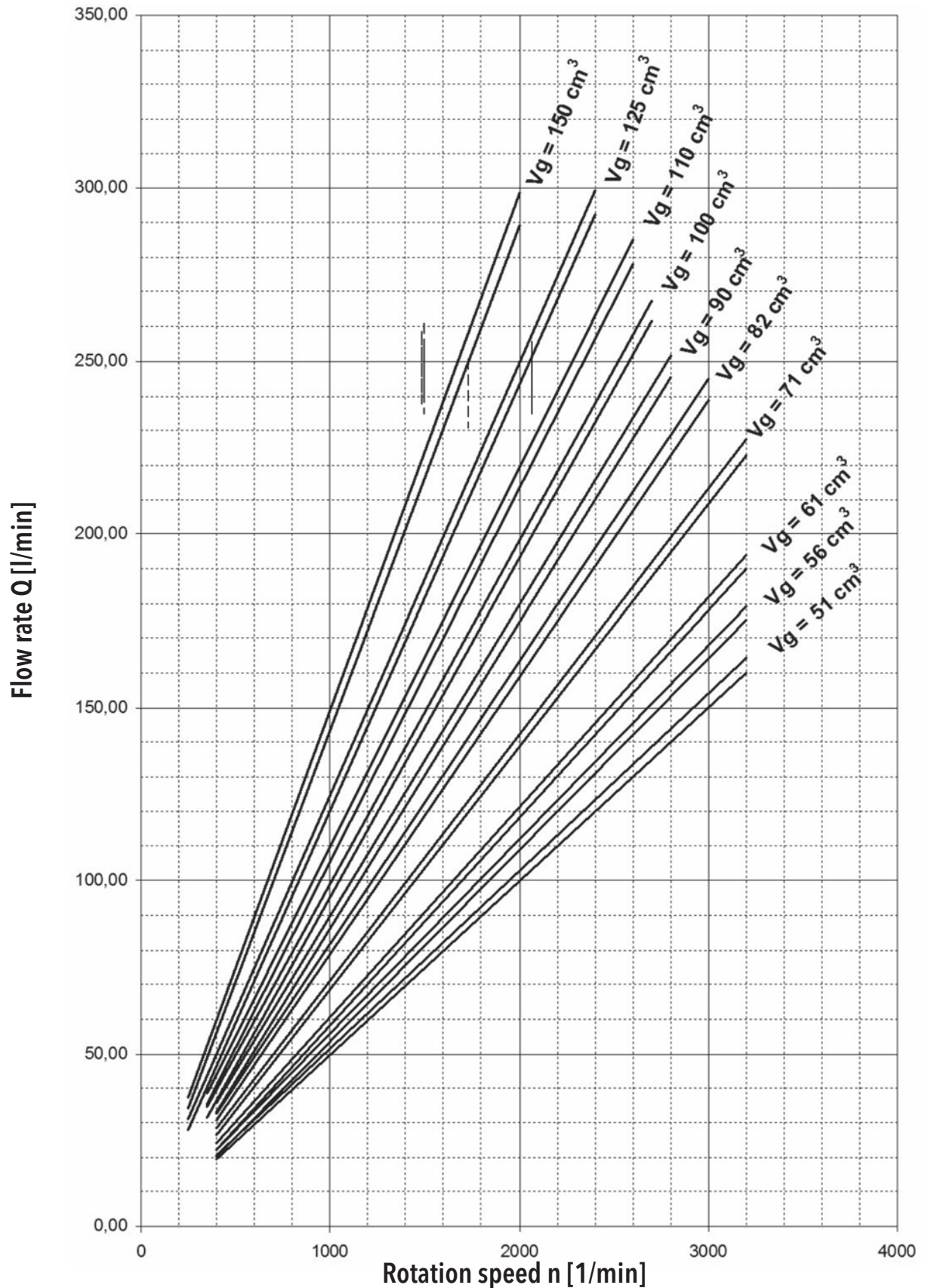
## REVERSIBLE DESIGN

- The pumps with the possibility of bidirectional rotation have a different internal arrangement requiring drainage. Two types of drain are used - internal and external. The internal drainage is always interconnected with the outlet by means of valves. The external drainage is solved by an orifice located in the cover opposite the driven gear.



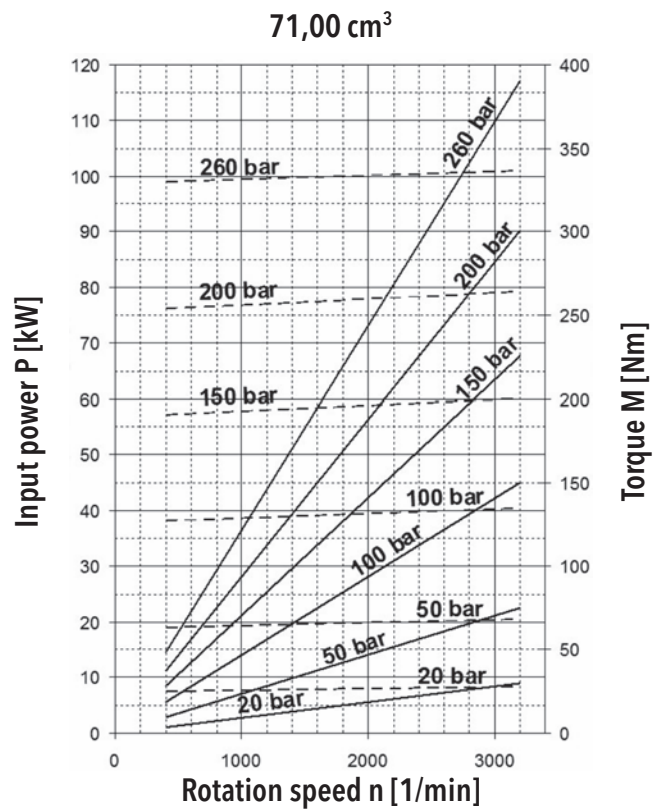
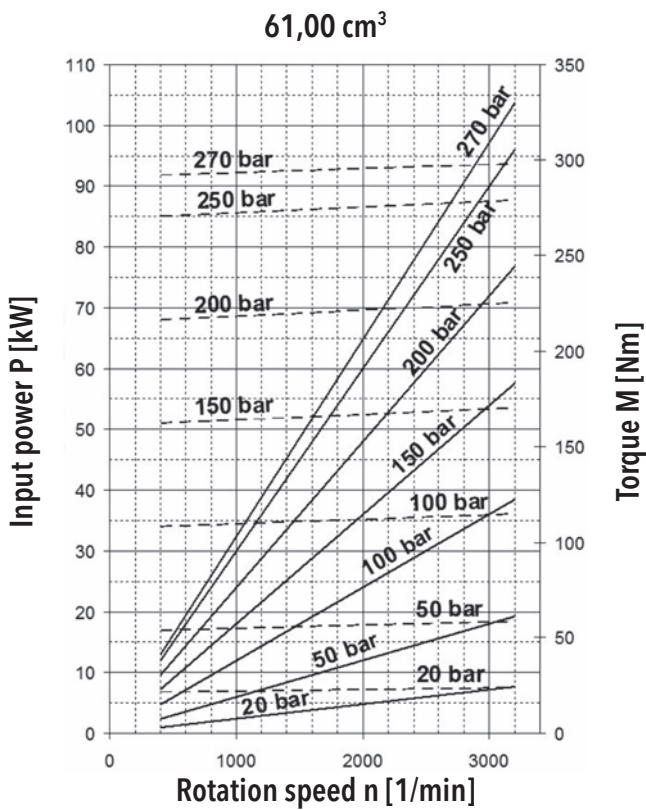
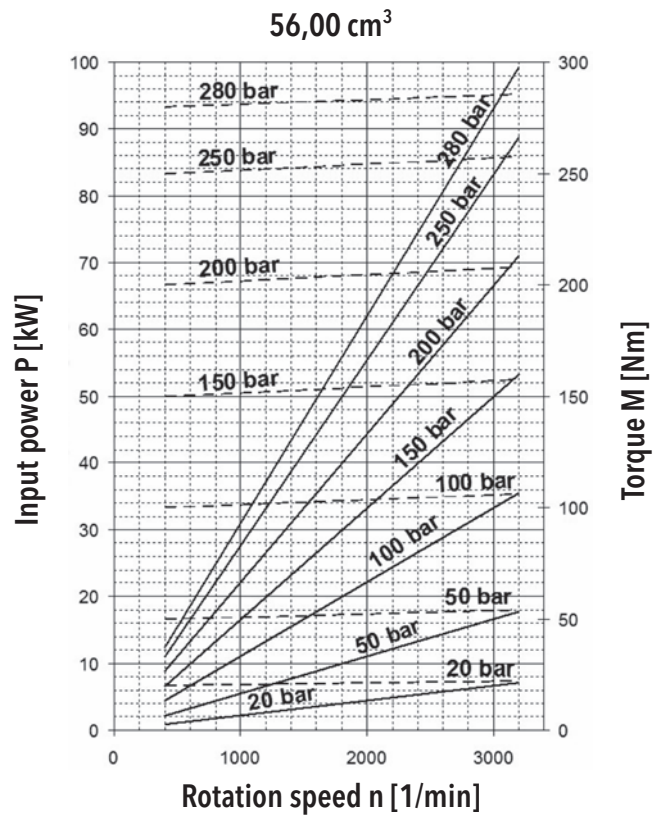
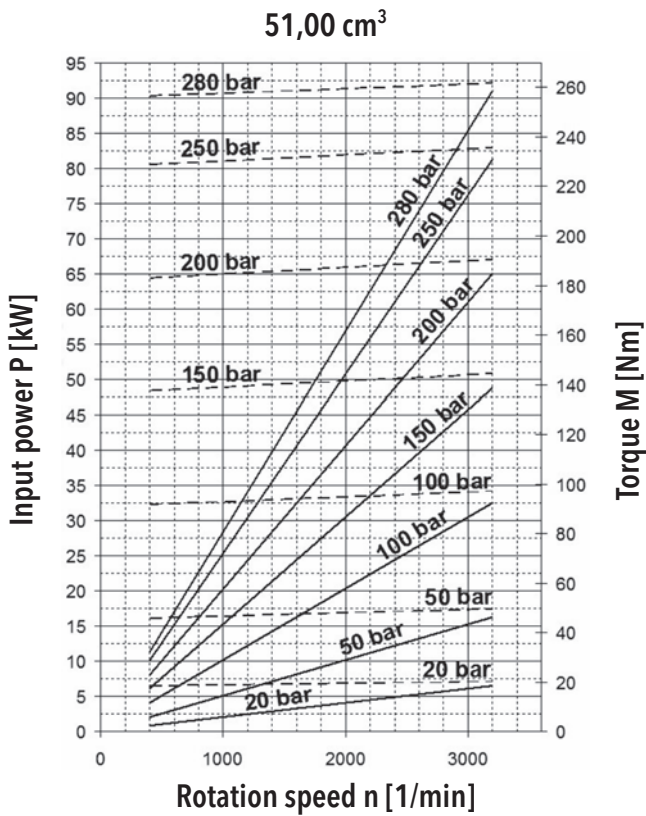


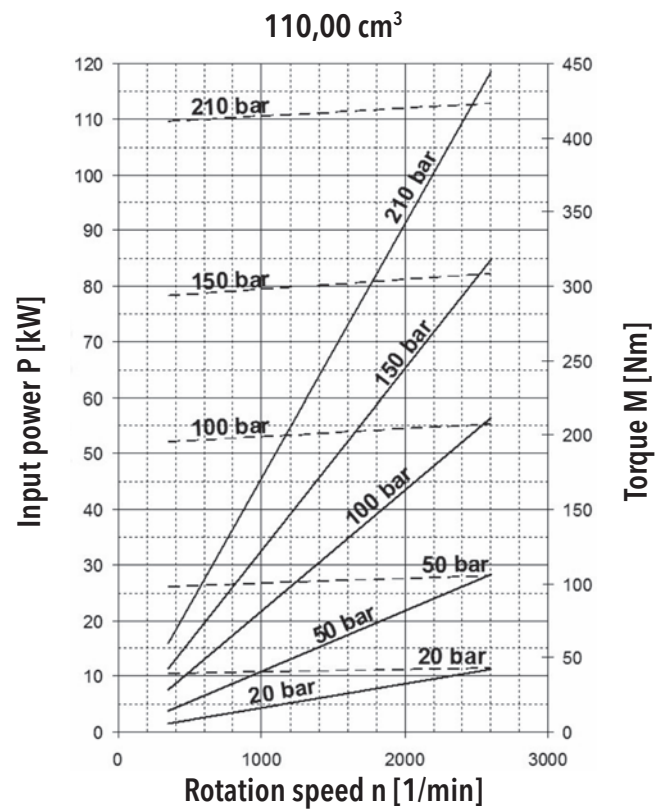
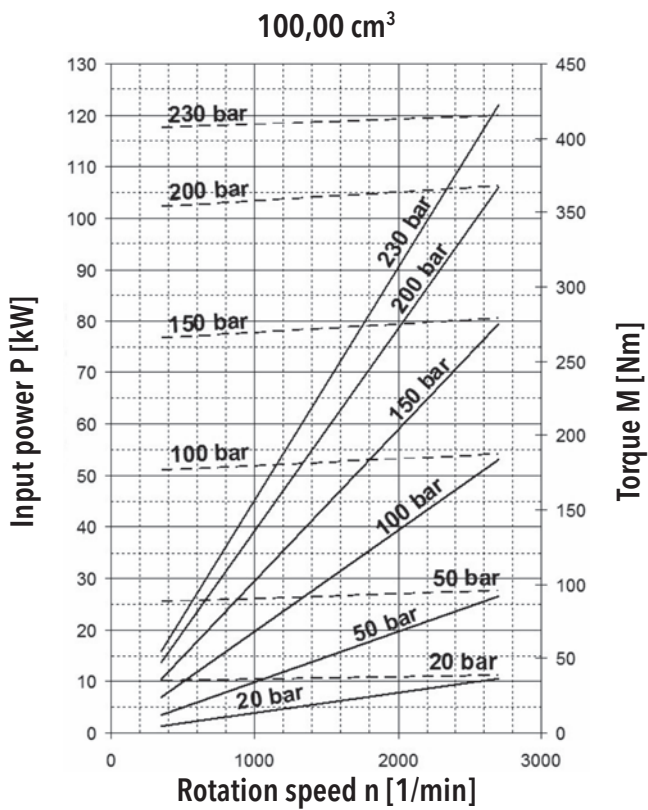
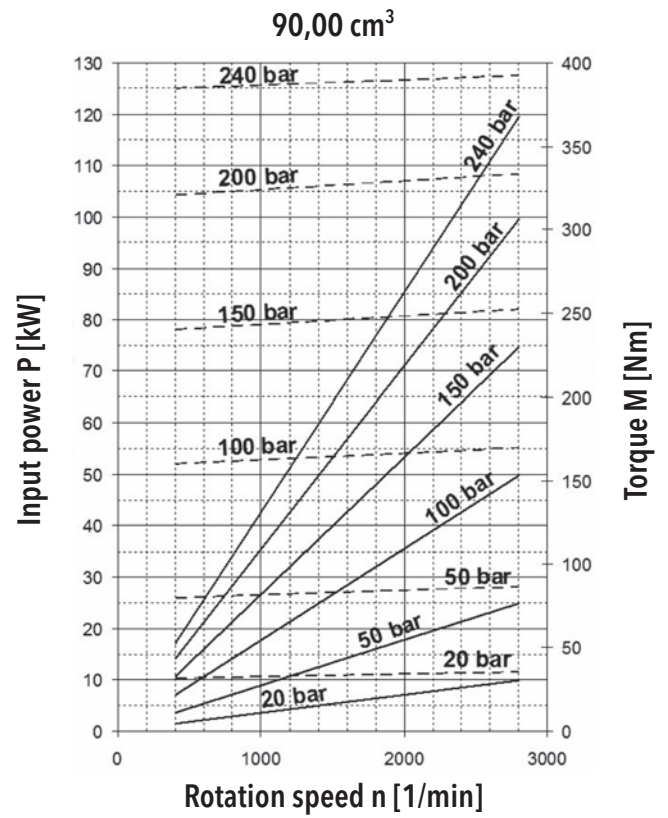
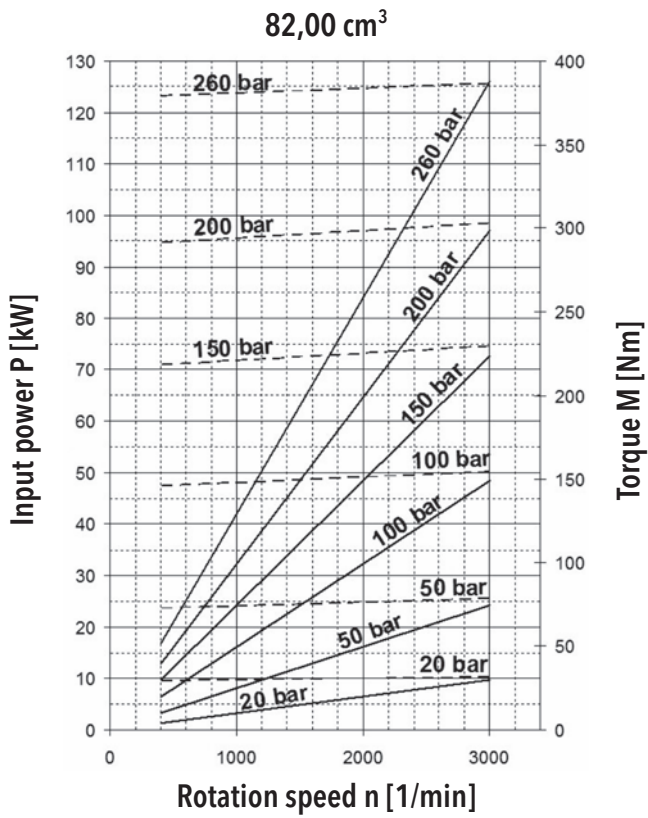
## GHD2 FLOW RATE AND POWER CURVES

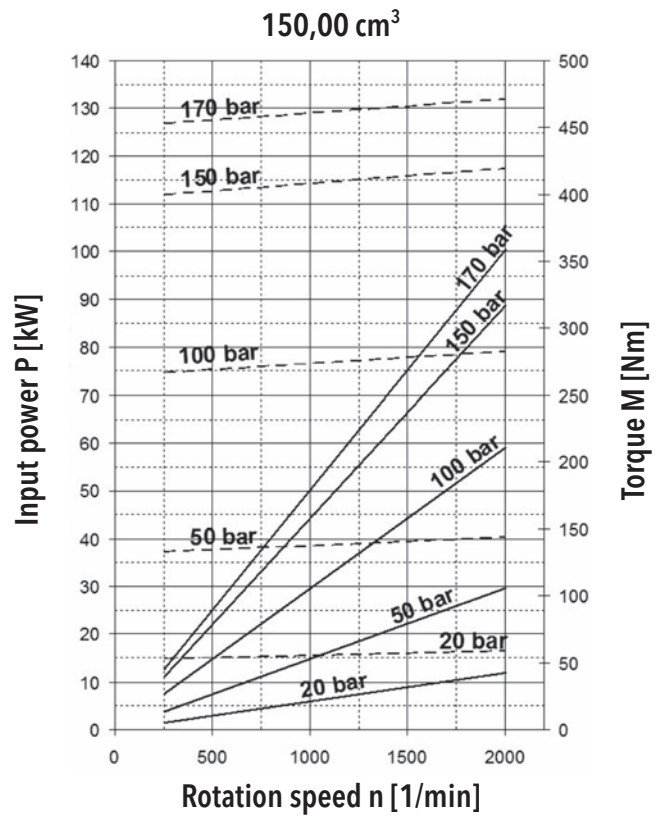
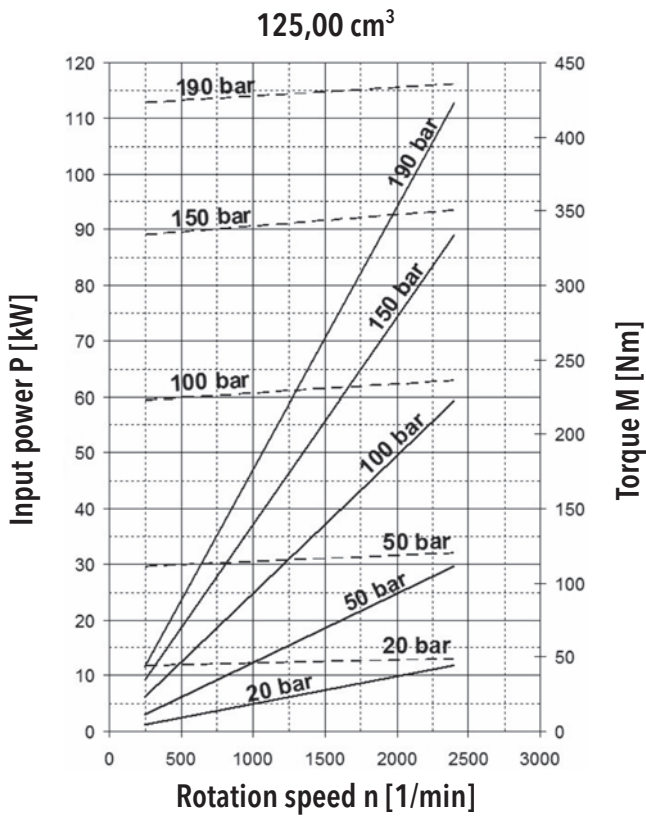


Above curves apply to ISO Vg 46 oil at temperature  $t = 45^{\circ}\text{C}$ .











## ORDER KEY - SINGLE VERSION

**GHD1 - 34 R - S02 D13 - S G05 G04 - N . 001**

Code	Displacement [cm <sup>3</sup> ]
<b>GHD1</b>	
17	17,39
27	27,53
34	34,05
43	43,47
51	51,44
71	71,01
<b>GHD2</b>	
51	51,81
56	56,52
61	61,23
71	71,83
82	82,43
90	90,67
100	100,09
110	110,69
125	125,99
150	150,72
XX	Other displacements on request

Code	Rotation
R	Clockwise rotation
L	Anti-clockwise rotation
B	Bi-directional rotation

Code	Type
GHD1	GHD1 Series Gear Pump
GHD2	GHD2 Series Gear Pump

Code	Flange design
R14	Rectangle flange, center ring Ø 95, spacing screw 140 x 190
R15	Square flange, centre ring Ø 90 spacing screw 155 x 155
S02	SAE A 2 aperture
S03	SAE B 2 aperture
S04	SAE C 2 aperture
S06	SAE C 2 + 4 aperture
I02	ISO, centre ring Ø 50
F03	Square flange, centre ring Ø 125 spacing screw Ø 160
Z	Special design

Code	Location of inlets and outlets
S	Side (in the body)
R	Rear (in the cover)
C	Combination

Code	Drive shaft design
D13	Spline SAE B 13T
D14	Spline SAE C 14T
D15	Spline SAE BB 15T
D18	Spline DIN 5462 A8x32x36x6
D19	Spline ČSN 28x1,5
D25	Spline ČSN 014942 D-6x28x34e9x7
D26	Spline ČSN 38x1,5
D27	Spline DIN 5480 WA 35x2x16x9g
V17	Cylindric SAE B, Ø 22,22 Key 6,4x6,4x25,4
V18	Cylindric SAE BB, Ø 25,4 Key 6,4x6,4x31,8
V19	Cylindric SAE C, Ø 31,7 Key 7,9x7,9x31,8
Z	Special design

Code	Special arrangements
-	No special arrangements
001	With front-end bearing
004	Without shaft seal
012	Rear and side input and output

Code	Sealing material
N	NBR
V	FKM (VITON)
H	HNBR

Code	Liquid inlet and outlet connection shape
M09	Thread M 27x2
M12	Thread M 33x2
M15	Thread M 48x2
G04	Thread BSP G3/4
G05	Thread BSP G1
G06	Thread BSP G1 1/4
G07	Thread BSP G1 1/2
G09	Thread BSP G2
U05	Thread 1-1/16 - 12 UN
U07	Thread 1-5/16 - 12 UN
U08	Thread 1-5/8 - 12 UN
U09	Thread 1-7/8 - 12 UN
H09	Fitting Ø18; 4xM8 Ø55
H10	Fitting Ø25; 4xM8 Ø55
A02	Fitting SAE (SSS) 3/4"
A03	Fitting SAE (SSS) 1"
A04	Fitting SAE (SSS) 1" 1/4
A05	Fitting SAE (SSS) 1" 1/2
A06	Fitting SAE (SSS) 2"
E02	Fitting SAE (SSM) 3/4"
E03	Fitting SAE (SSM) 1"
E04	Fitting SAE (SSM) 1" 1/4
E05	Fitting SAE (SSM) 1" 1/2
E06	Fitting SAE (SSM) 2"
K03	Fitting Ø18; 4xM8/Ø40
K04	Fitting Ø26; 4xM10/Ø51
K05	Fitting Ø18; 4xM8/Ø55
K06	Fitting Ø25; 4xM8/Ø55
S04	Fitting Ø46; 4xM12 - 78x78
S05	Fitting Ø22; 4xM10 - 48x48
S06	Fitting Ø30; 4xM10 - 48x48
Z	Special design

An example of designation for the GHD1 anti-clockwise pump with displacement of 27 cm<sup>3</sup>, SAE B flange, SAE B spline, BSP axial inlet and outlet and standard NBR seal without special arrangements: **GHD1-27L-S03D13-RG05G04-N**

## ORDER KEY - MULTIPLE VERSION

GHD1 - 34 / 17 / 17 R - S02 D13 - S G05 G04 / G05 G04 / G05 G04 - N . 001

Code	Displacement [cm <sup>3</sup> ]	
GHD1	17	17,39
	27	27,53
	34	34,05
	43	43,47
	51	51,44
	71	71,01
GHD2	51	51,81
	56	56,52
	61	61,23
	71	71,83
	82	82,43
	90	90,67
	100	100,09
	110	110,69
	125	125,99
150	150,72	
XX	Other displacements on request	

Code	Rotation
R	Clockwise rotation
L	Anti-clockwise rotation
B	Bi-directional rotation

Code	Type
GHD1	GHD1 Series Gear Pump
GHD2	GHD2 Series Gear Pump

Code	Flange design
R14	Rectangle flange, center ring Ø 95, spacing screw 140 x 190
R15	Square flange, centre ring Ø 90 spacing screw 155 x 155
S02	SAE A 2 aperture
S03	SAE B 2 aperture
S04	SAE C 2 aperture
S06	SAE C 2 + 4 aperture
I02	ISO, centre ring Ø 50
F03	Square flange, centre ring Ø 125 spacing screw Ø 160
Z	Special design

Code	Location of inlets and outlets
S	Side
C	Combination

Code	Drive shaft design
D13	Spline SAE B 13T
D14	Spline SAE C 14T
D15	Spline SAE BB 15T
D18	Spline DIN 5462 A8x32x36x6
D19	Spline ČSN 28x1,5
D25	Spline ČSN 014942 D-6x28x34e9x7
D26	Spline ČSN 38x1,5
D27	Spline DIN 5480 WA 35x2x16x9g
V17	Cylindric SAE B, Ø 22,22 Key 6,4x6,4x25,4
V18	Cylindric SAE BB, Ø 25,4 Key 6,4x6,4x31,8
V19	Cylindric SAE C, Ø 31,7 Key 7,9x7,9x31,8
Z	Special design

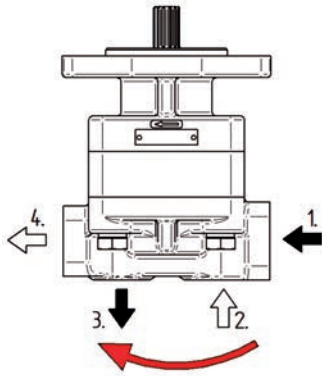
Code	Special arrangements
-	No special arrangements
001	With front-end bearing
004	Without shaft seal
012	Rear and side input and output

Code	Sealing material
N	NBR
V	FKM (VITON)
H	HNBR

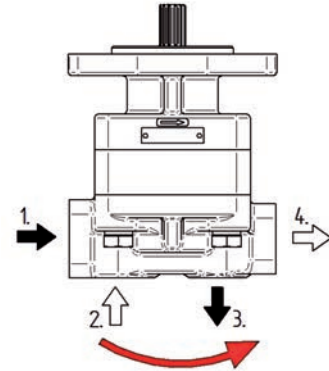
Code	Design of inlets and outlets connection shape
M09	Thread M 27x2
M12	Thread M 33x2
M15	Thread M 48x2
G04	Thread BSP G3/4
G05	Thread BSP G1
G06	Thread BSP G1 1/4
G07	Thread BSP G1 1/2
G09	Thread BSP G2
U05	Thread 1-1/16 - 12 UN
U07	Thread 1-5/16 - 12 UN
U08	Thread 1-5/8 - 12 UN
U09	Thread 1-7/8 - 12 UN
H09	Fitting Ø18; 4xM8 Ø55
H10	Fitting Ø25; 4xM8 Ø55
A02	Fitting SAE (SSS) 3/4"
A03	Fitting SAE (SSS) 1"
A04	Fitting SAE (SSS) 1" 1/4
A05	Fitting SAE (SSS) 1" 1/2
A06	Fitting SAE (SSS) 2"
E02	Fitting SAE (SSM) 3/4"
E03	Fitting SAE (SSM) 1"
E04	Fitting SAE (SSM) 1" 1/4
E05	Fitting SAE (SSM) 1" 1/2
E06	Fitting SAE (SSM) 2"
K03	Fitting Ø18; 4xM8/Ø40
K04	Fitting Ø26; 4xM10/Ø51
K05	Fitting Ø18; 4xM8/Ø55
K06	Fitting Ø25; 4xM8/Ø55
S04	Fitting Ø46; 4xM12 - 78x78
S05	Fitting Ø22; 4xM10 - 48x48
S06	Fitting Ø30; 4xM10 - 48x48
N	Without inlet/outlet
Z	Special design

An example of designation for the GHD1 three-section clockwise pump with displacements of 34, 27 and 17 cm<sup>3</sup>, SAE B flange, SAE BB spline, BSP thread one common inlet and three outlets and FKM seal without special arrangements: **GHD1-34/27/17R-S03D15-SNG04/G06G04/NG04-V**

Note: In case of combination inlets, with the code „C” is respected following sequence of inlets and outlets:



For clockwise and reverse gear pump,  
in direction clockwise



For anti-clockwise gear pump,  
in direction anti-clockwise

For. ex....: GHDM2-82B-R14D26-CM12 M12 M12 M12 -N.007  
1. 2. 3. 4.

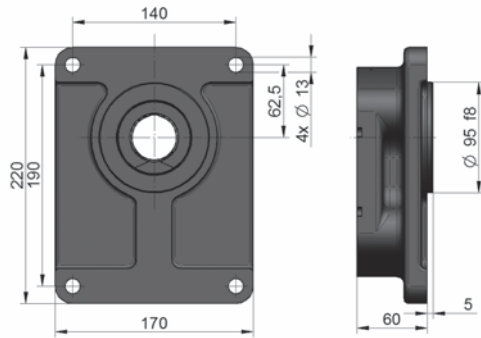
## COMBINATIONS OF FLANGES AND SHAFTS

		FLANGE DESIGN							
		R14	R15	S02	S03	S04	S06	I02	F03
DRIVE SHAFT	D13			●	●				
	D14					●	●		
	D15			○	●	○	○		
	D18							●	
	D19		●						
	D25			●					
	D26		●						
	D27								●
	V17				●	●			
	V18				○	●	○	○	
	V19						●	●	

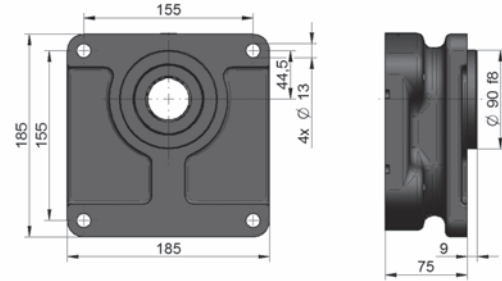


## FLANGES DESIGN

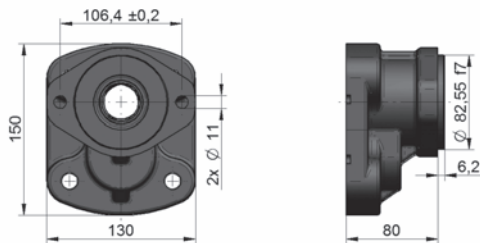
R14:



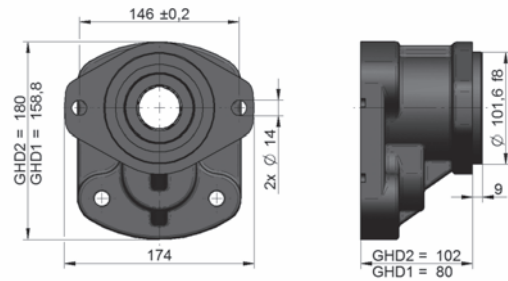
R15:



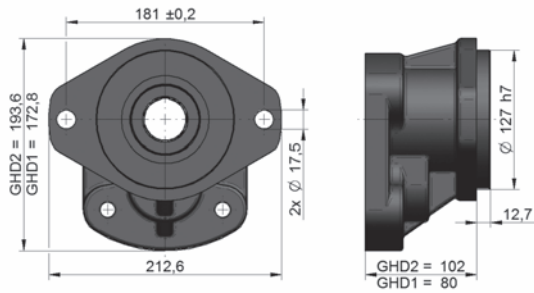
S02:



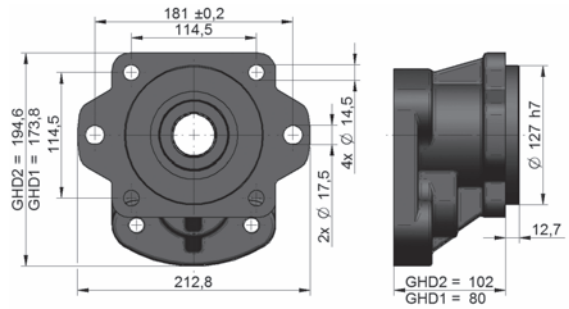
S03:



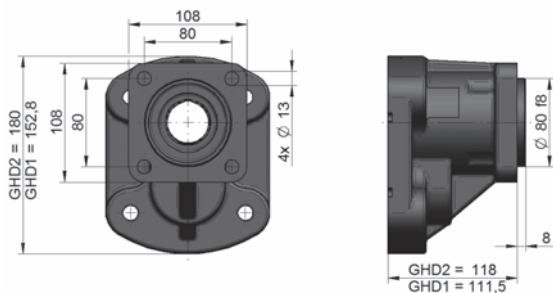
S04:



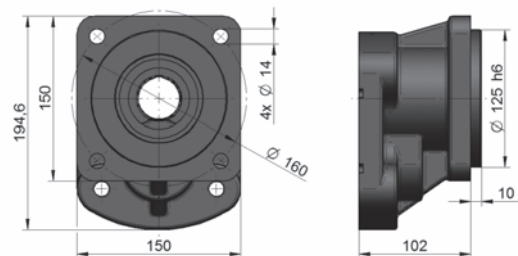
S06:



I01:

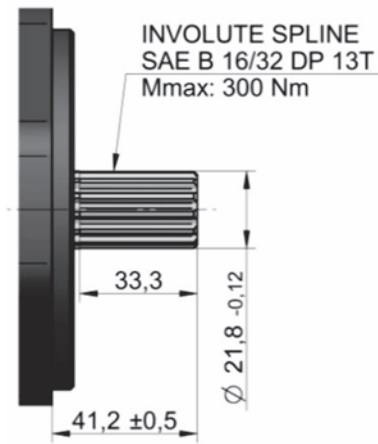


F03:

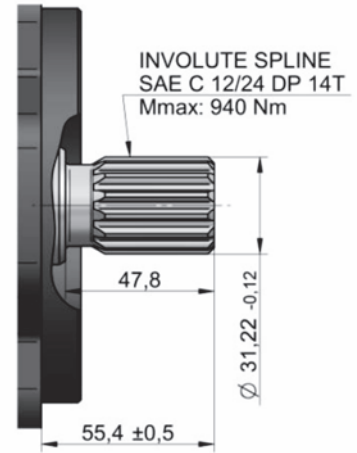


## DRIVE SHAFTS

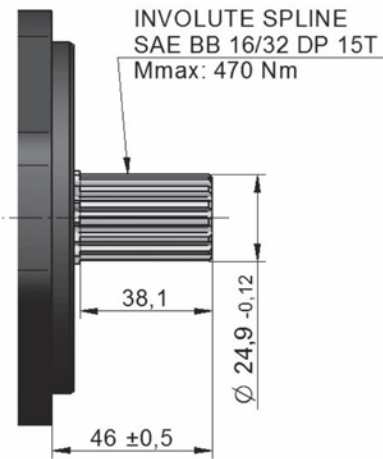
D13:



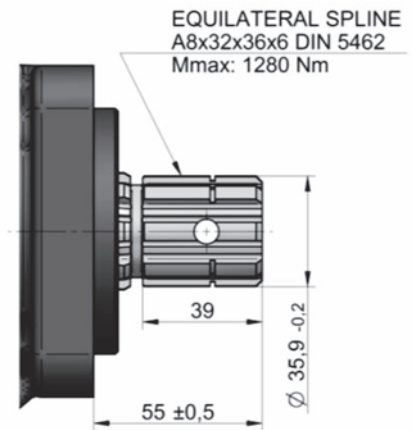
D14:



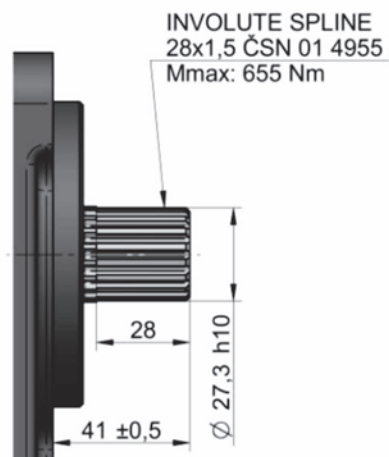
D15:



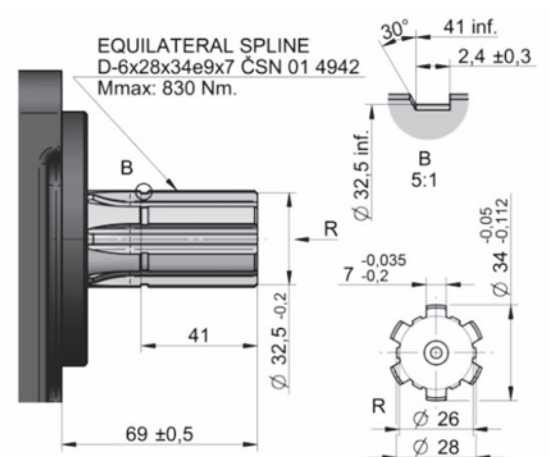
D18:



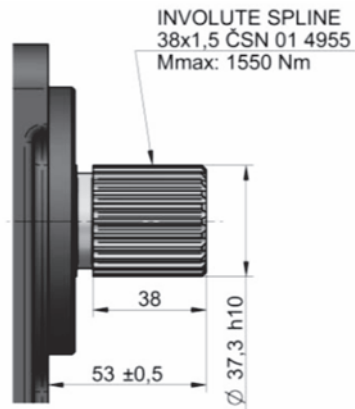
D19:



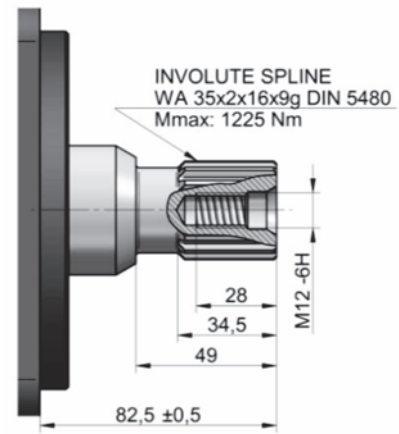
D25:



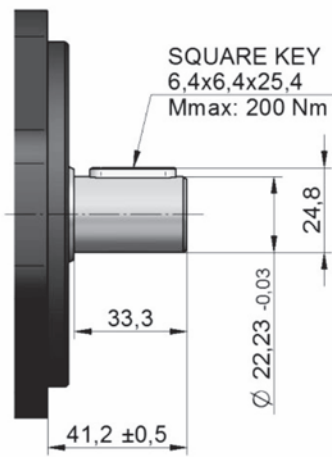
**D26:**



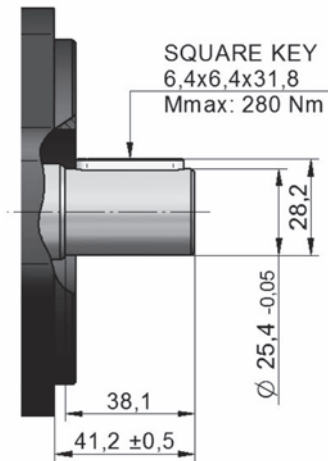
**D27:**



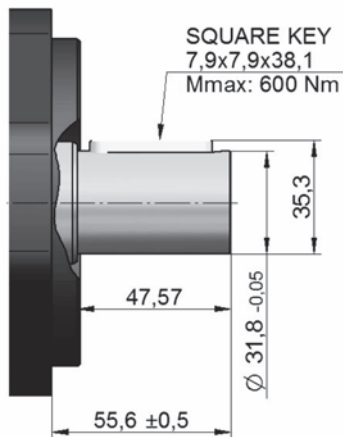
**V17:**



**V18:**

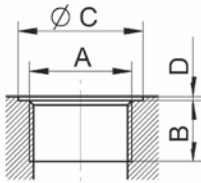


**V19:**



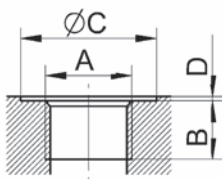
## LIQUID INLET AND OUTLET CONNECTION

Metric thread according to ISO 6149



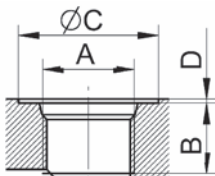
Displacement [cm <sup>3</sup> ]	Code	Inlet				Code	Outlet			
		A	B	C	D		A	B	C	D
GHD1 17-51	M12	M 33x2	18	40	1	M09	M 27x2	16	33	1
GHD2 51-150	M15	M 48x2	22	56	1	M12	M 33x2	18	40	1

BSPP pipe thread according to ISO 228-1



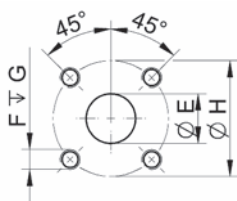
Displacement [cm <sup>3</sup> ]	Code	Inlet				Code	Outlet			
		A	B	C	D		A	B	C	D
GHD1 17-34	G05	G 1"	18	45	1	G04	G 3/4"	16	39	1
GHD1 34-71	G06	G 1 1/4"	24	58	1	G05	G 1"	18	45	1
GHD2 51-71	G06	G 1 1/4"	24	58	1	G05	G 1"	18	45	1
GHD2 71-100	G07	G 1 1/2"	26	64	1	G06	G 1 1/4"	24	58	1
GHD2 100-150	G09	G 2"	32	78	1	G07	G 1 1/2"	26	64	1

UNF thread according to SAE



Displacement [cm <sup>3</sup> ]	Code	Inlet				Code	Outlet			
		A	B	C	D		A	B	C	D
GHD1 17-34	U07	1-5/16-12UN	19	49	1	U05	1-1/16-12UN	19	41	1
GHD1 34-71	U08	1-5/8-12UN	19	58	1	U07	1-5/16-12UN	19	49	1
GHD2 51-80	U08	1-5/8-12UN	19	58	1	U07	1-5/16-12UN	19	49	1
GHD2 80-150	U09	1-7/8-12UN	19	65	1	U08	1-5/8-12UN	19	58	1

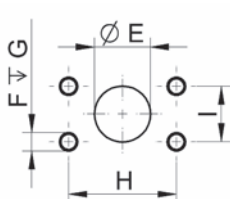
Flanged fittings according to DIN 8901/8902



Displacement [cm <sup>3</sup> ]	Code	Inlet				Code	Outlet			
		E	F	G	H		E	F	G	H
GHD1 17-51	H10	25	M8	16	55	H09	18	M8	16	55

Note: Usable only as side inputs

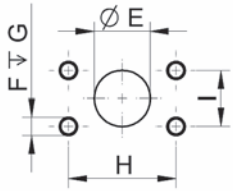
Flanged fittings according to SAE, metric thread



Displacement [cm <sup>3</sup> ]	Code	Inlet					Code	Outlet				
		E	F	G	H	I		E	F	G	H	I
GHD1 17-34	E03	25.4	M10	22	52.4	26.2	E02	19.0	M10	22	47.6	22.2
GHD1 34-51	E04	30.5	M10	22	58.7	30.2	E03	25.4	M10	22	52.4	26.2
GHD2 51-71	E05	39.3	M12	27	69.8	35.7	E04	30.5	M10	22	58.7	30.2
GHD2 51-82	E05	39.3	M12	27	69.8	35.7	E04	30.5	M10	22	58.7	30.2
GHD2 82-150	E06	51.0	M12	27	77.8	42.9	E05	39.3	M12	27	69.8	35.7

Note: Usable only as side inputs

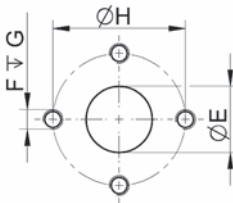
## Flanged fittings according to SAE, UNC thread



Displacement [cm <sup>3</sup> ]	Code	Inlet					Code	Outlet				
		E	F	G	H	I		E	F	G	H	I
GHD1 17-34	A03	25.4	3/8-16 UNC-2B	22.0	52.4	26.2	A02	19.0	3/8-16 UNC-2B	22.0	47.6	22.2
GHD1 34-51	A04	30.5	7/16-14 UNC-2B	28.5	58.7	30.2	A03	25.4	3/8-16 UNC-2B	22.0	52.4	26.2
GHD2 51-71	A05	39.3	1/2-13 UNC-2B	27.0	69.8	35.7	A04	30.5	7/16-14 UNC-2B	29.0	58.7	30.2
GHD2 51-82	A05	39.3	1/2-13 UNC-2B	27.0	69.8	35.7	A04	30.5	7/16-14 UNC-2B	29.0	58.7	30.2
GHD2 82-150	A06	51.0	1/2-13 UNC-2B	27.0	77.8	42.9	A05	39.3	1/2-13 UNC-2B	27.0	69.8	35.7

Note: Usable only as side inputs

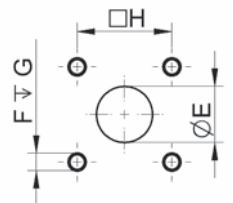
## Flanged fittings - „cross“



Displacement [cm <sup>3</sup> ]	Code	Inlet				Code	Outlet			
		E	F	G	H		E	F	G	H
GHD1 17-51	K04	26	M10	18	51	K03	18	M8	18	40
GHD1 17-51	K06	25	M8	16	55	K05	18	M8	16	55

Note: Usable only as side inputs

## Flanged fittings - „square“



Displacement [cm <sup>3</sup> ]	Code	Inlet				Code	Outlet			
		E	F	G	H		E	F	G	H
GHD1 17-51	S06	30	M10	22	48	S05	22	M10	22	48
GHD2 51-150	S04	46	M12	24	78	S04	46	M12	24	78

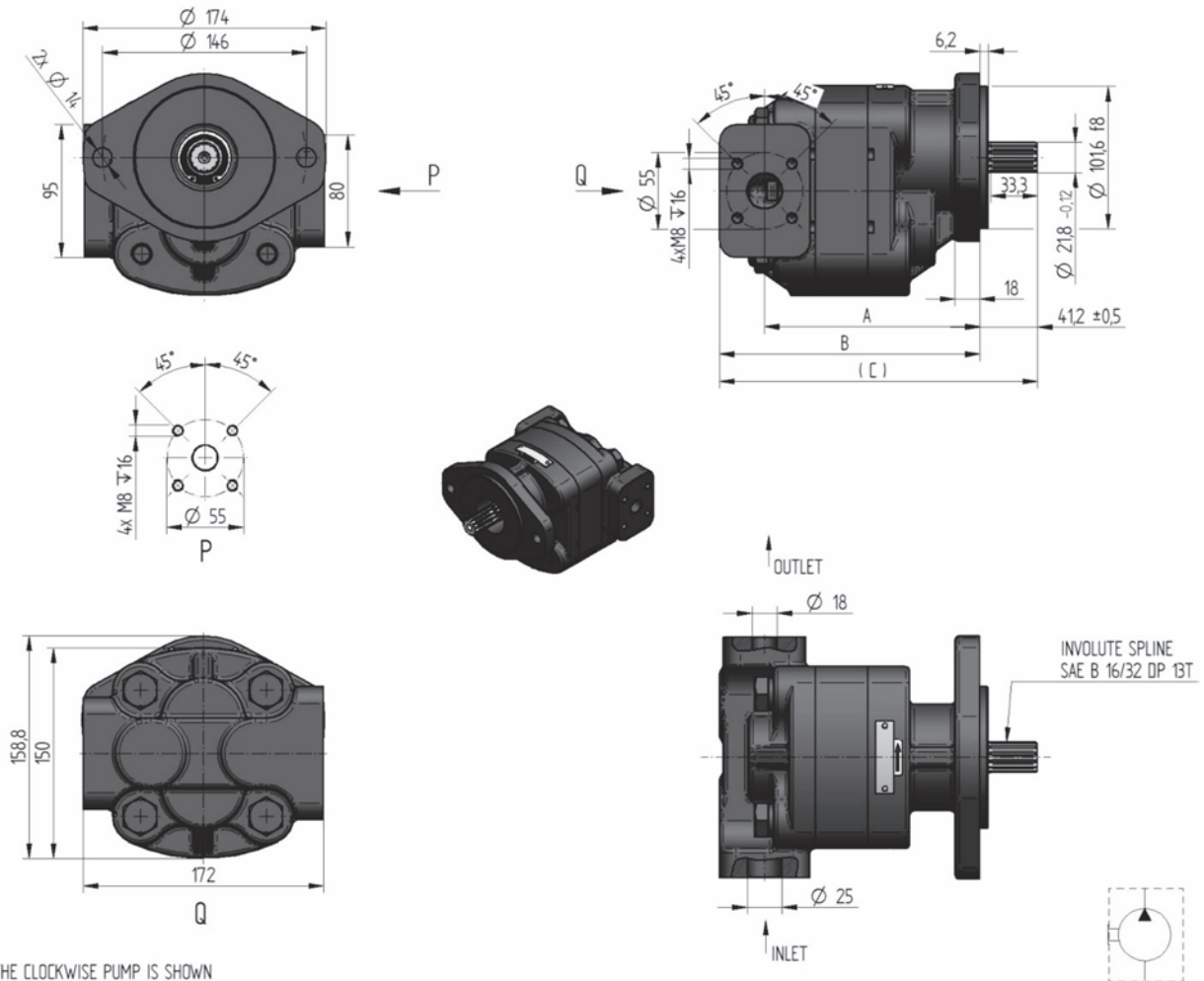
Note: S04 - usable only as side inputs

S05, S06 - usable as axial and side input at GHD2 series

## Drains:

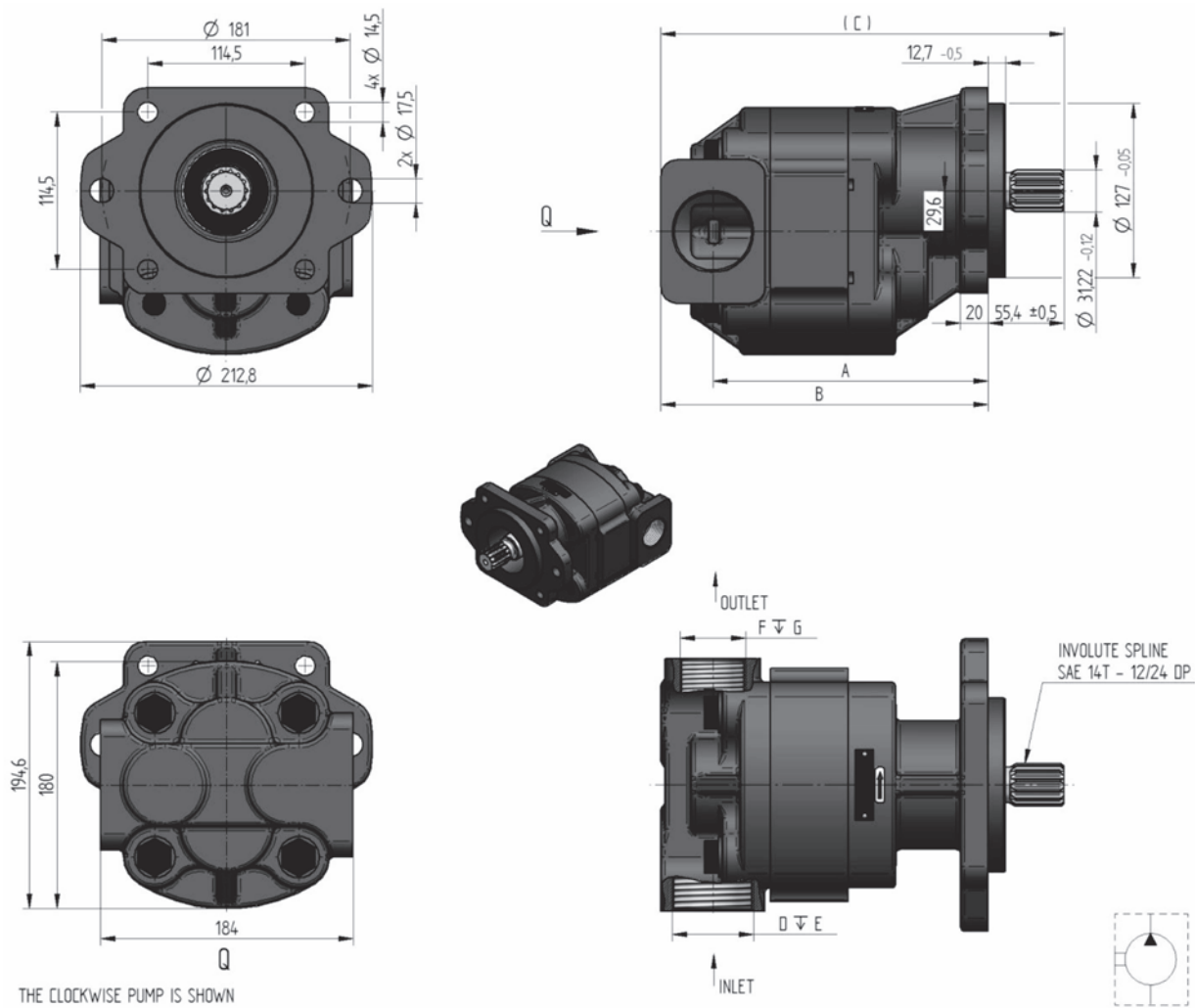
Displacement [cm <sup>3</sup> ]	Code	Outlet			
		A	B	C	D
all	M05	M 18 x 1.5	14	24	1
all	G03	G 1/2"	14	33	1

## CATALOGUE SHETS OF GHD2 SERIES BASIC DESIGNS



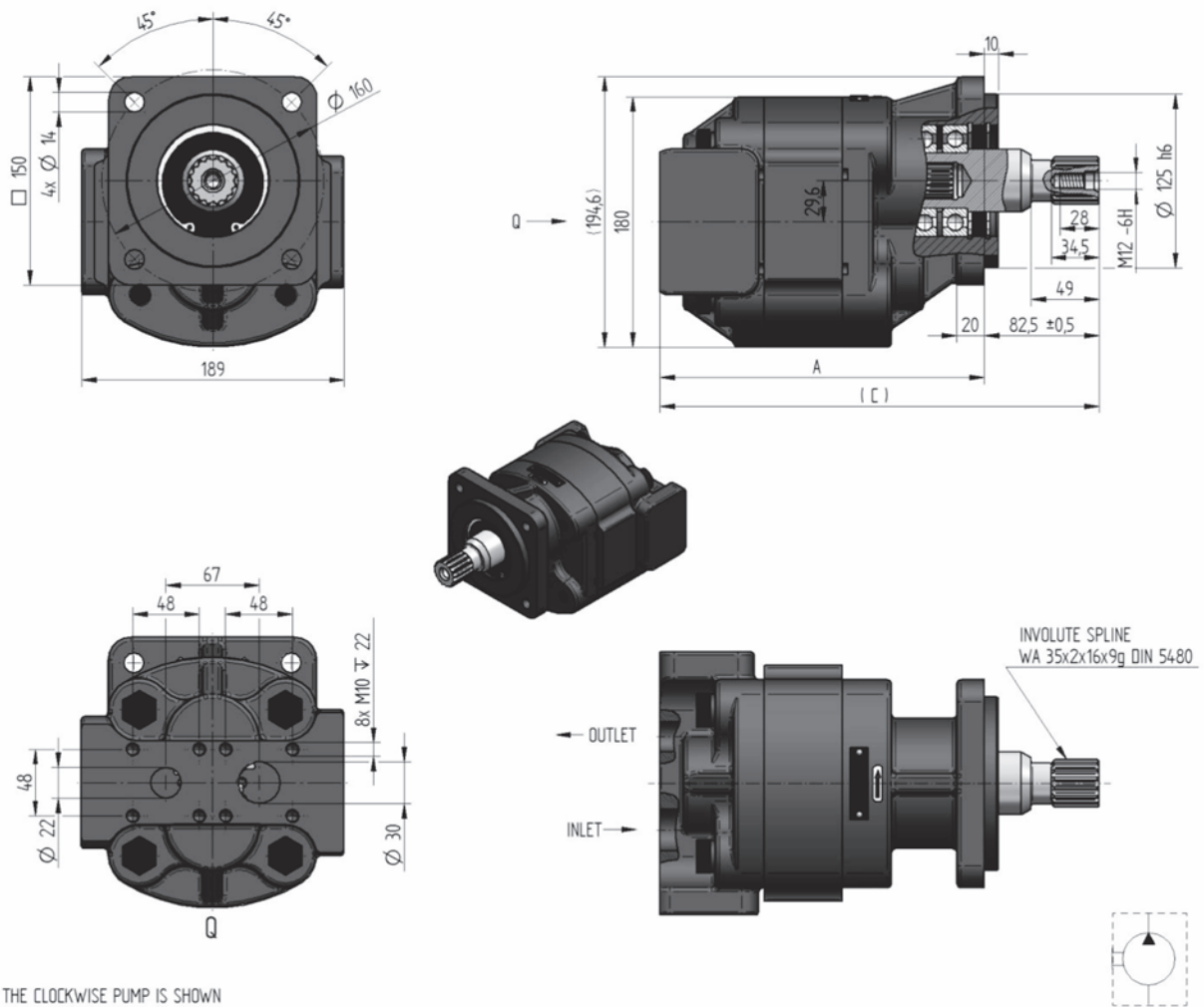
Order key	purch. code	direct. of rot.	displacement [cm <sup>3</sup> /1]	nom. press. [bar]	speed MIN. [min <sup>-1</sup> ]	speed MAX. [min <sup>-1</sup> ]	dimension		
							A [mm]	B [mm]	C [mm]
GHD1-71R-S03D13-SH10H09-N		R	71	210	250	1 800	63.7	128.5	168.3
GHD1-71L-S03D13-SH10H09-N		L							
GHD1-51R-S03D13-SH10H09-N		R	51	260	350	2 600	59.0	119.1	158.9
GHD1-51L-S03D13-SH10H09-N		L							
GHD1-43R-S03D13-SH10H09-N		R	43	280	400	2 800	48.8	98.6	138.4
GHD1-43L-S03D13-SH10H09-N		L							
GHD1-34R-S03D13-SH10H09-N		R	34	300	400	3 000	45.6	92.3	132.1
GHD1-34L-S03D13-SH10H09-N		L							
GHD1-27R-S03D13-SH10H09-N		R	27	300	400	3 200	44.0	89.2	129.0
GHD1-27L-S03D13-SH10H09-N		L							
GHD1-17R-S03D13-SH10H09-N		R	17	300	400	3 200	42.5	86.0	125.8
GHD1-17L-S03D13-SH10H09-N		L							



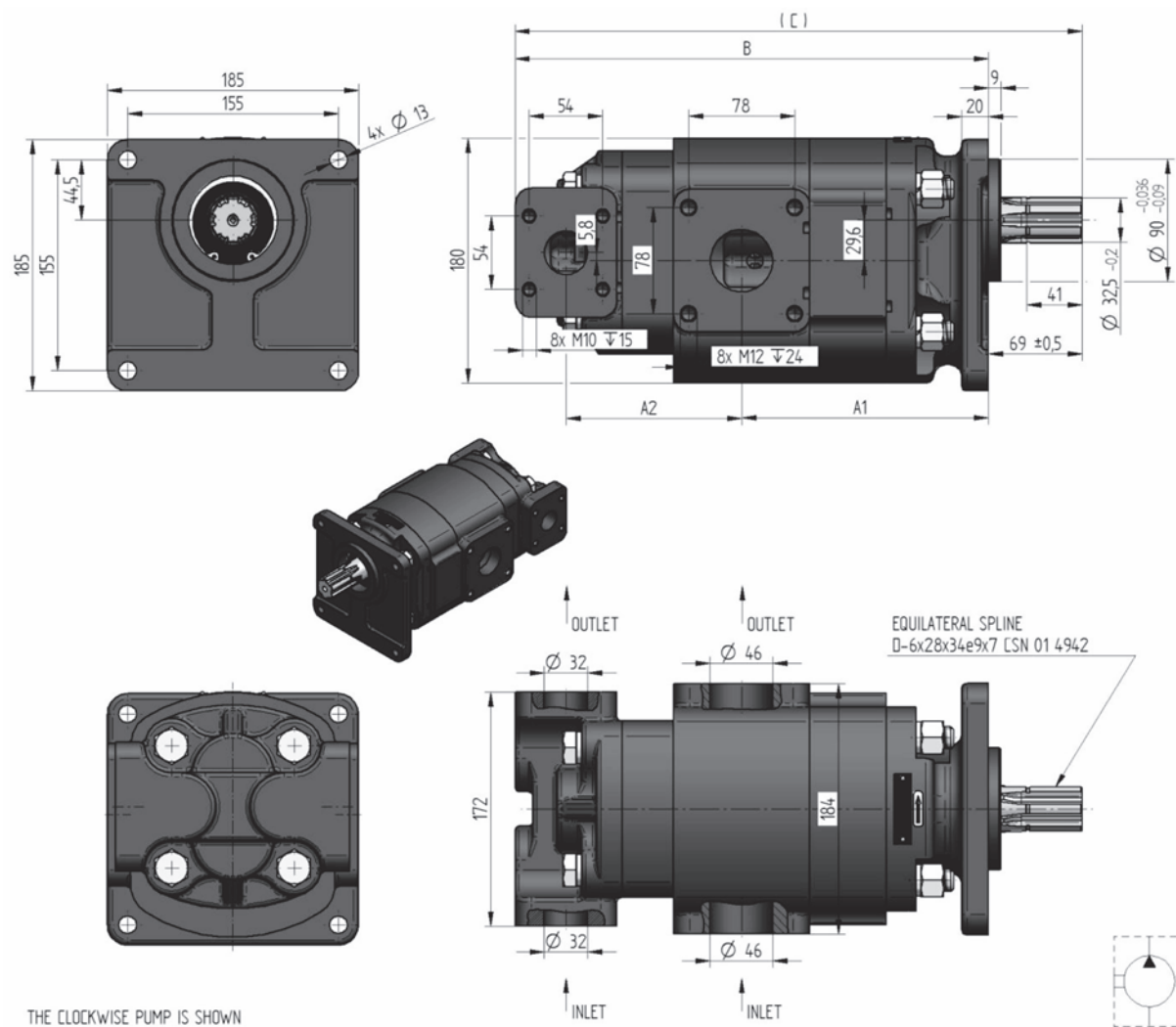


THE CLOCKWISE PUMP IS SHOWN

Order key	purch. code	direct. of rot.	displacement [cm <sup>3</sup> /1]	nom. press. [bar]	speed MIN. [min <sup>-1</sup> ]	speed MAX. [min <sup>-1</sup> ]	dimension						
							A [mm]	B [mm]	C [mm]	D [mm]	E [mm]	F [mm]	G [mm]
GHD2-150R-S06D14-SG09G07-N		R	150	170	250	2000	222.0	260.0	315.4	G 2"	32	G 1 1/2"	26
GHD2-150L-S06D14-SG09G07-N		L											
GHD2-125R-S06D14-SG09G07-N		R	125	190	250	2400	211.5	249.5	304.9	G 2"	32	G 1 1/2"	26
GHD2-125L-S06D14-SG09G07-N		L											
GHD2-110R-S06D14-SG09G07-N		R	110	210	350	2600	205.0	243.0	298.4	G 2"	32	G 1 1/2"	26
GHD2-110L-S06D14-SG09G07-N		L											
GHD2-100R-S06D14-SG07G06-N		R	100	230	350	2700	200.5	238.5	293.9	G 1 1/2"	26	G 1 1/4"	24
GHD2-100L-S06D14-SG07G06-N		L											
GHD2-90R-S06D14-SG07G06-N		R	90	240	400	2800	196.5	234.5	289.9	G 1 1/2"	26	G 1 1/4"	24
GHD2-90L-S06D14-SG07G06-N		L											
GHD2-82R-S06D14-SG07G06-N		R	82	260	400	3000	193.0	231.0	286.4	G 1 1/2"	26	G 1 1/4"	24
GHD2-82L-S06D14-SG07G06-N		L											
GHD2-71R-S06D14-SG06G05-N		R	71	260	400	3200	188.5	226.5	281.9	G 1 1/4"	24	G 1"	18
GHD2-71L-S06D14-SG06G05-N		L											
GHD2-61R-S06D14-SG06G05-N		R	61	270	400	3200	184.0	222.0	277.4	G 1 1/4"	24	G 1"	18
GHD2-61L-S06D14-SG06G05-N		L											
GHD2-56R-S06D14-SG06G05-N		R	56	280	400	3200	182.0	220.0	275.4	G 1 1/4"	24	G 1"	18
GHD2-56L-S06D14-SG06G05-N		L											
GHD2-51R-S06D14-SG06G05-N		R	51	280	400	3200	180.0	218.0	273.4	G 1 1/4"	24	G 1"	18
GHD2-51L-S06D14-SG06G05-N		L											

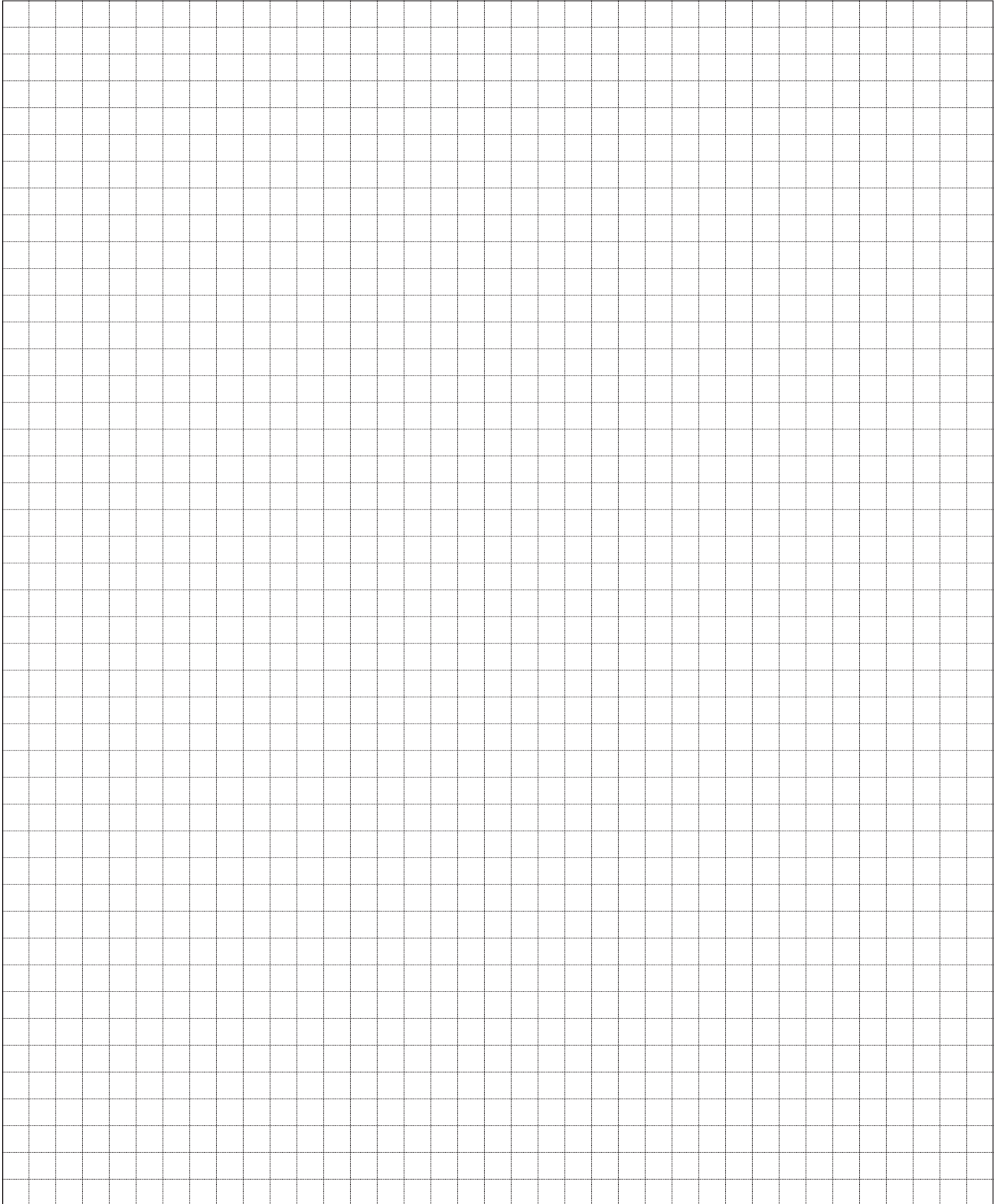


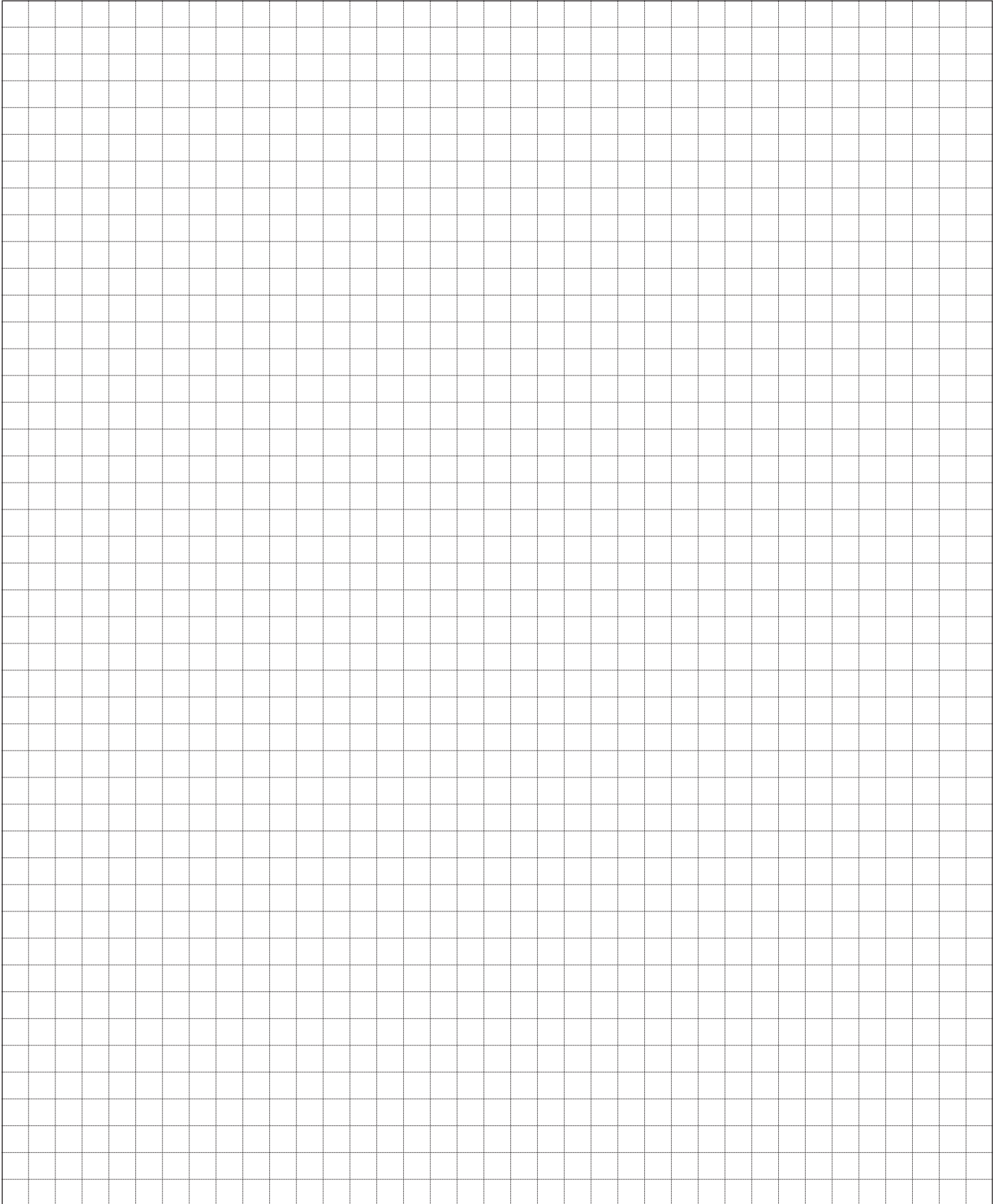
Order key	purch. code	direct. of rot.	displacement [cm <sup>3</sup> /1]	nom. press. [bar]	speed MIN. [min <sup>-1</sup> ]	speed MAX. [min <sup>-1</sup> ]	dimension	
							A [mm]	C [mm]
GHD2-150R-F03D27-RS06S05-N.001		R	150	170	250	2000	255.0	337.5
GHD2-150L-F03D27-RS06S05-N.001		L						
GHD2-125R-F03D27-RS06S05-N.001		R	125	190	250	2400	244.5	327.0
GHD2-125L-F03D27-RS06S05-N.001		L						
GHD2-110R-F03D27-RS06S05-N.001		R	110	210	350	2600	238.0	320.5
GHD2-110L-F03D27-RS06S05-N.001		L						
GHD2-100R-F03D27-RS06S05-N.001		R	100	230	350	2700	233.5	316.0
GHD2-100L-F03D27-RS06S05-N.001		L						
GHD2-90R-F03D27-RS06S05-N.001		R	90	240	400	2800	229.5	312.0
GHD2-90L-F03D27-RS06S05-N.001		L						
GHD2-82R-F03D27-RS06S05-N.001		R	82	260	400	3000	226.0	308.5
GHD2-82L-F03D27-RS06S05-N.001		L						
GHD2-71R-F03D27-RS06S05-N.001		R	71	260	400	3200	221.5	304.0
GHD2-71L-F03D27-RS06S05-N.001		L						
GHD2-61R-F03D27-RS06S05-N.001		R	61	270	400	3200	217.0	299.5
GHD2-61L-F03D27-RS06S05-N.001		L						
GHD2-56R-F03D27-RS06S05-N.001		R	56	280	400	3200	215.0	297.5
GHD2-56L-F03D27-RS06S05-N.001		L						
GHD2-51R-F03D27-RS06S05-N.001		R	51	280	400	3200	213.0	295.5
GHD2-51L-F03D27-RS06S05-N.001		L						



THE CLOCKWISE PUMP IS SHOWN

Order key	purch. code	direct. of rot.	displacement [cm <sup>3</sup> /1]	nom. press. [bar]	speed MIN. [min <sup>-1</sup> ]	speed MAX. [min <sup>-1</sup> ]	dimension			
							A1 [mm]	A2 [mm]	B [mm]	C [mm]
GHD2-100/GHD1-51R-R15D25-SS04S04/S07S07-N		R	100/51	230/260	350	2 600	181.5	141.0	360.0	429.0
GHD2-100/GHD1-51L-R15D25-SS04S04/S07S07-N		L								







**jihostroj**  
AERO TECHNOLOGY & HYDRAULICS

**JIHOSTROJ a.s.**  
Budějovická 148  
CZ 382 32 Velešín  
Czech Republic  
tel.: +420 380 340 511  
fax: +420 380 340 612  
e-mail: mailbox@jihostroj.cz  
http: //www.jihostroj.com

GPS 48°49'51.748" N 14°27'40.770" E

