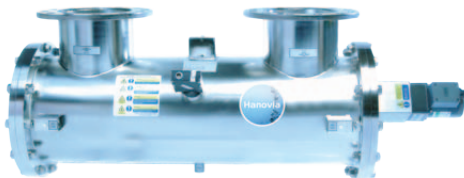
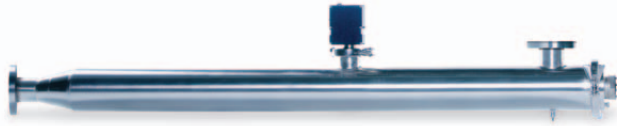


# Hanovia

## PureLine D

### Complete Range



## Technical Specification

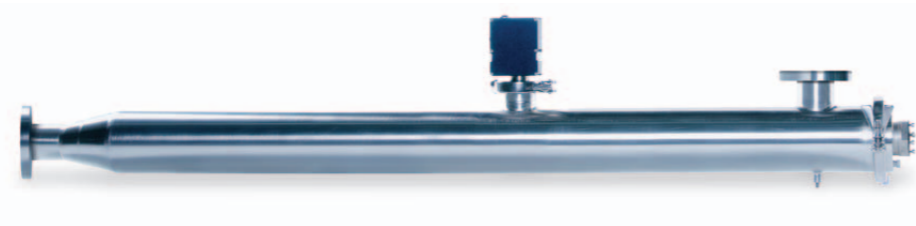
Model	Maximum Disinfection Capacity * (m <sup>3</sup> /hr) 26mJ/cm <sup>2</sup> RED	Maximum Disinfection Capacity ** (m <sup>3</sup> /hr) 120mJ/cm <sup>2</sup> RED	Min. T <sub>10</sub> (%)	Flange Size DN	Approx Weight (kg) Chamber (Empty)	Power Supply	Power (W)
PureLine D 0007	7.3	1.3	70	40	9	18	80
PureLine D 0013	12	2.4	70	50	9	18	140
PureLine D 0023	23	4.6	70	50	9	18	270
PureLine D 0047	46	9	70	80	25	18	270
PureLine D 0089	89	15	70	150	46	22	550
PureLine D 0083	84	8.9	78	100	50	85	2500
PureLine D 0105	109	16	95	150	65	85	2500
PureLine D 0209	217	28	90	150	65	85	3500
PureLine D 0300	322	50	93	200	140	165	5500
PureLine D 0530	550	91	90	250	140	165	7000
PureLine D 0680	825	170	62	300	150	290	14000
PureLine D 0850	1000	153	76	350	210	290	14000

\* The maximum disinfection capacity is based on a dose of 26mJ/cm<sup>2</sup> RED MS2 phage T<sub>10</sub> 95% and a hydraulic velocity of 3m/s

\*\* The maximum disinfection capacity is based on a dose of 120mJ/cm<sup>2</sup> RED MS2 phage T<sub>10</sub> 95%

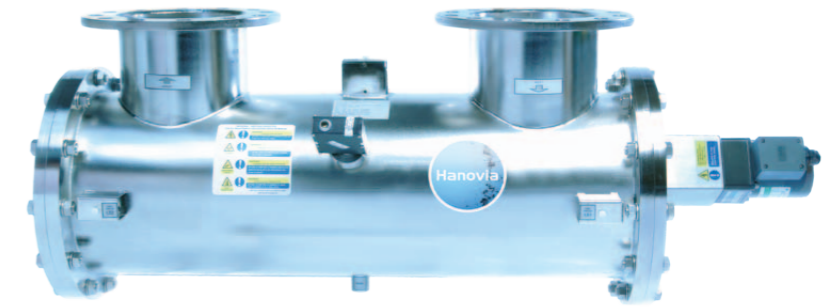
## PureLine D

PureLine D 0007 - D 0089



## PureLine D

PureLine D 0083 - D 0850



### Technical Specification

#### UV Chamber

Material:	StSt 316L / 1.4404
Internal finish:	As made pipe and tube, welds left as laid electropolished and passivated
External finish:	Sateen polish (120 grit) electropolished and passivated
Process (mating) connections:	Flange DN series PN16 rated
Drain connection:	BSPT
End plate:	Removable tri-clamp except D 0089 which is a bolted plate
Degree of protection:	IP65 equivalent to NEMA 4 but not suitable for outside use
Arc tube (lamp):	Low pressure amalgam / high purity quartz
Arc tube enclosure:	High purity quartz
Number of lamps:	1
Expected lamp life:	12000-16000 hours
Temperature sensor:	On D 0089 only
UV monitor:	Wet UV monitor (down to minimum $T_{10}$ )
Working fluid temperature:	+5°C to +40°C
Maximum CIP temperature:	95°C with control cabinet electrically isolated
Hydrostatically pressure tested:	Yes to PED requirements EN13445
Operating / Design pressure:	6 bar / 7 bar
Pressure Loss:	Typically < 45 mbar including wiper
Seals:	EPDM FDA approved

#### Cabinet

Material:	Polyester coated carbon steel
Degree of protection:	IP65 / NEMA 4 except D 0089 which is IP55 / NEMA 12
Supply voltages:	230V (207V to 253V) or 115V (104V to 126V except D 0089) 50/60Hz
Operating temperature range:	+5°C to +40°C
Relative humidity:	<90%
Cooling fans:	On D 0089
cable length:	5m
External contacts:	4-20mA signal for UV intensity %, Volt Free Contacts for Lamp On, Low UV warning

### Technical Specification

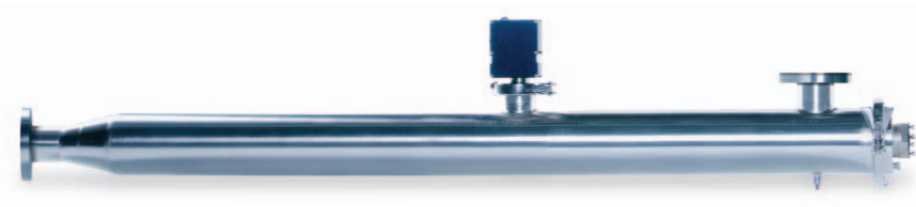
#### UV Chamber

Material:	StSt 316L / 1.4404
Internal finish:	As made pipe and tube, welds left as laid electropolished and passivated
External finish:	Sateen polish (120 grit) electropolished and passivated
Process (mating) connections:	Flange DN series PN16 rated
Drain connection:	BSPT
End plate:	Removable bolted plates
Degree of protection:	IP65 equivalent to NEMA 4 but not suitable for outside use
Arc tube (lamp):	Medium pressure / high purity quartz
Arc tube enclosure:	High purity quartz
Number of lamps:	1 to 4
Expected lamp life:	4000-8000 hours
Temperature sensor:	Yes
UV monitor:	Wet UV monitor (down to minimum $T_{10}$ )
Working fluid temperature:	+5°C to +60°C
Maximum CIP temperature:	95°C with control cabinet electrically isolated
Hydrostatically pressure tested:	Yes to PED requirements EN13445
Operating / Design pressure:	6 bar / 7 bar
Pressure Loss:	Typically < 150 mbar
Seals:	EPDM FDA approved

#### Cabinet

Material:	Polyester coated carbon steel
Degree of protection:	IP54 equivalent to NEMA 12
Supply voltages:	Up to 2.5kW 95 to 260V (nominal) 50/60Hz 3.5 to 7.0kW 190V to 500V (nominal) 50/60Hz >7.0kW 300V to 500V (nominal) 50/60Hz
Operating temperature range:	+5°C to +40°C
Relative humidity:	<90%
Cooling fans:	Yes
cable length:	10m
External contacts:	4-20mA signal for UV intensity, Volt Free Contacts for Local/Remote, System Available, Lamp Ready, System Warning, Common Alarm, Low UV Intensity, ELCB Trip





# PureLine D

PureLine D 0007 - D 0089

## Product Specific Data

### Features

#### Operational Features:

- Lamp on/off
- Remote start/stop
- Alarm rest button
- Low UV warning
- Horizontal mounting for all or vertical mount except for D 0089

#### Screen Display Features:

- 2 line x 16 character backlit LCD with indication of System Status
- Remote mode
- UV intensity%
- Warning and trip messages
- Total hours run
- English language

#### Alarm Message Features:

- Lamp fail
- Low UV % intensity
- Unit tripped

#### Safety Features:

- Door interlocked cabinet isolator
- Separate door lock
- Resettable circuit breaker
- Power on LED

### Options

- Validation Support Pack
- Stainless Steel cabinet (304)
- Printed operating, menu and safety guides in Chinese, French and German
- Ultronic control 230V (207 to 263V) CE and UL approved with pre-calibrated DVGW compliant dry UV monitor
- Tri-clamp connections to BS 4825 with tri-clamp drain internal finish <math><0.38\mu\text{m}</math> Ra maximum welds as laid electropolished and passivated
- Auto-wiper with status LED's pneumatic operation
- ANSI 150 flanges and NPT drain
- CIP maximum 130°C with cabinet electrically isolated

### Approvals

- CE following the low voltage and EMC directives conforming to EN61000-3-2, 3-3, 6-2 and 6-4 230V version only

#### Additional Information

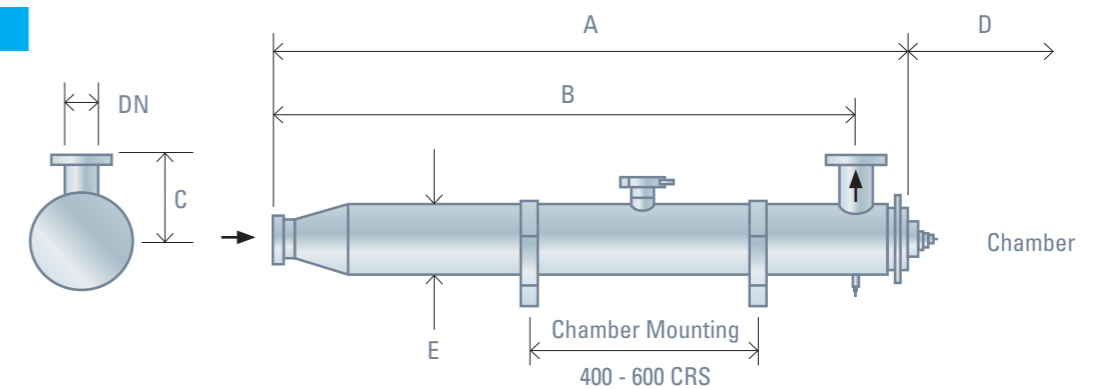
All dimensions are approximate for clearance purposes only. Hanovia has a policy of continuous product development, exact drawings are available on request. All specifications are subject to change without notification. Your Distributor or Hanovia Account Manager can advise on correct dosage and specific requirements.

A HALMA COMPANY

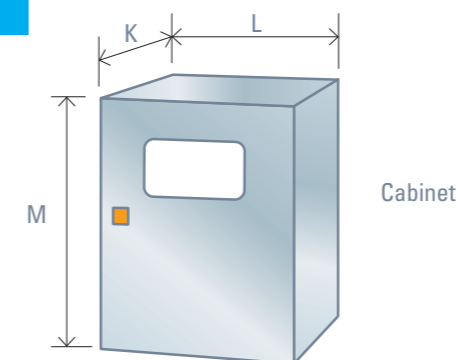


### Dimensions (mm)

#### Chamber:



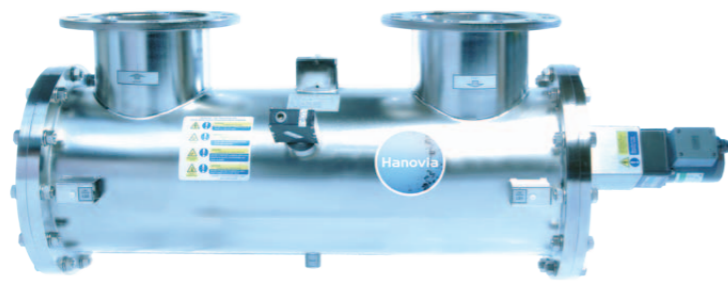
#### Cabinet:



Model	Maximum Disinfection Capacity* (m <sup>3</sup> /hr)	Min. T <sub>10</sub> (%)	Dimensions (mm) unwiped dimensions						230V unwiped			230V wiped or 110V			Approx Weight (kg)		
			A	B	C	D	E	DN	K**	L**	M**	K**	L**	M**	Chamber (Empty)	Power Supply	Power (W)
PureLine D 0007	7.3	70	1385	1273	150	1300	102	40	225	300	550	275	400	750	9	18	80
PureLine D 0013	12.7	70	1385	1273	150	1300	102	50	225	300	550	275	400	750	9	18	140
PureLine D 0023	23	70	1385	1273	150	1300	102	50	225	300	550	275	400	750	9	18	270
PureLine D 0047	46.8	70	1437	1300	200	1300	168	80	225	300	550	275	400	750	25	18	270
PureLine D 0089	89	70	1985	1825	250	1900	206	150	225	700	750	275	700	750	46	22	550

\* The maximum disinfection capacity is based on a dose of 26mJ/cm<sup>2</sup> RED MS2 phage T<sub>10</sub> 95% and a hydraulic velocity limit of 3m/s

\*\* Cabinet dimensions allow for door isolator, cable entry, bracket space and fan space on D 0089



# PureLine D

PureLine D 0083 - D 0850



## Product Specific Data

### Features

#### Operational Features:

- Lamp on/off
- Remote start/stop
- Selectable auto restart following power failure
- Event log
- Horizontal mounting only

#### Screen Display Features:

- 2 line x 20 character VFD with indication of System Status
- Remote mode
- UV intensity in mW/cm<sup>2</sup> or relative intensity (%)
- Warning and trip messages
- Total hours run
- Spares listing
- English language

#### Alarm Message Features:

- Lamp fail
- Low UV % intensity
- ELCB tripped
- Wiper trip
- Power failure
- Chamber over temperature
- Power supply over temperature warning and trip

#### Safety Features:

- Door interlocked cabinet isolator
- Separate door locks
- Power supply thermal cut out
- Resettable circuit breaker
- Earth leakage trip
- Wiper motor overload cut out

### Options

- Validation Support Pack
- Stainless Steel cabinet (316)
- Printed operating, menu and safety guides in Chinese, French and German
- Tri-clamp connections to BS 4825 with tri-clamp drain
- Chamber internal finish <0.38µm Ra maximum welds ground out electropolished and passivated
- Auto-wiper with status messages electrical operation
- ANSI 150 flanges and NPT drain
- Lead length 30m or 50m
- CIP maximum 130°C with cabinet electrically isolated

### Approvals

- CE following the low voltage and EMC directives conforming to EN50081-1, EN61000-4-2, 4-3, 4-5, 4-6, 4-8 and 4-11
- UL listed E149108

#### Additional Information

All dimensions are approximate for clearance purposes only. Hanovia has a policy of continuous product development, exact drawings are available on request. All specifications are subject to change without notification. Your Distributor or Hanovia Account Manager can advise on correct dosage and specific requirements.

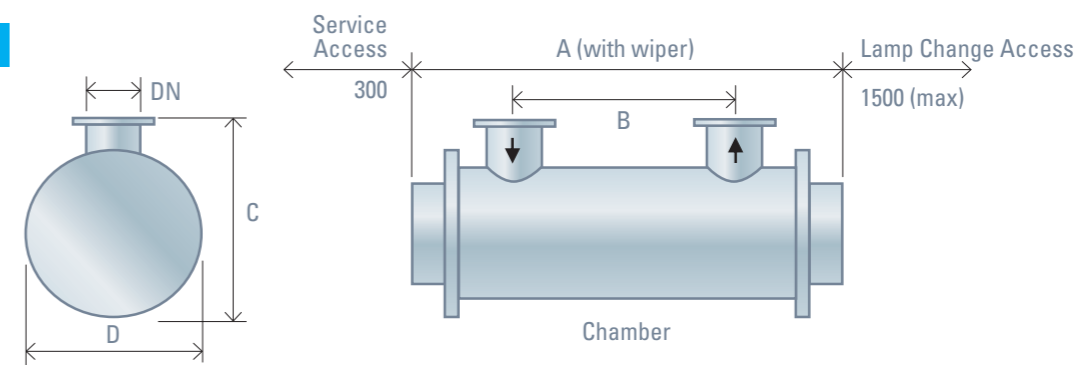
A HALMA COMPANY



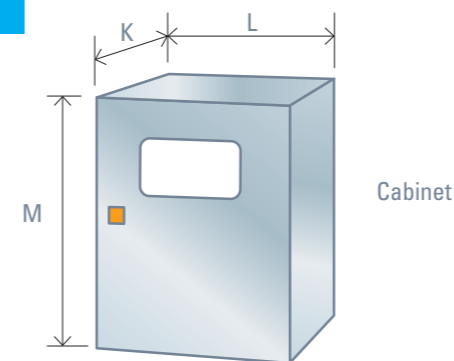
Certificate No: FM29365

### Dimensions (mm)

#### Chamber:



#### Cabinet:



Model	Maximum Disinfection Capacity * (m <sup>3</sup> /hr)	Min. T <sub>10</sub> (%)	Dimensions (mm)						Approx Weight (kg)			Power (W)	
			A	B	C	D	DN	K**	L**	M**	Chamber (Empty)		Power Supply
PureLine D 0083	84	78	1300	710	319	240	100	370	750	850	50	85	2500
PureLine D 0105	109	95	1300	660	420	290	150	370	750	850	65	85	2500
PureLine D 0209	217	90	1300	660	420	290	150	370	750	850	65	85	3500
PureLine D 0300	322	93	1300	610	505	410	200	370	900	1100	140	165	5500
PureLine D 0530	550	90	1300	550	505	410	250	370	900	1100	140	165	7000
PureLine D 0680	825	62	1800	960	505	410	300	380	1100	1590	150	290	14000
PureLine D 0850	1000	76	1800	930	540	430	350	380	1100	1590	210	290	14000

\* The maximum disinfection capacity is based on a dose of 26mJ/cm<sup>2</sup> RED MS2 phage T<sub>10</sub> 95% and a hydraulic velocity limit of 3m/s

\*\* Cabinet dimensions allow for door isolator, cable entry and bracket space



Eight decades of continuous development has put Hanovia at the forefront of UV science and technology.

Working with the biggest names in food, beverage, electronics, pharmaceutical, aquaculture, pools and leisure, and many other industries, we have gained valuable insights into our customers' requirements and this enables us to offer you not only the finest UV systems, but a full UV solution for your industrial or leisure water treatment problems – all backed by first class technical and service support, available wherever you are around the World.



BREWING



FOOD+DAIRY



BOTTLED WATER+SOFT DRINKS



  	t: +44 (0) 1753 515 300 f: +44 (0) 1753 515301 e: sales@hanovia.com Hanovia Ltd, 780 Buckingham Avenue, Slough, Berkshire, SL1 4LA UK	SCAN TO KEEP INFORMED	 	
	Visit our website for further information at <a href="http://www.hanovia.com">www.hanovia.com</a>	