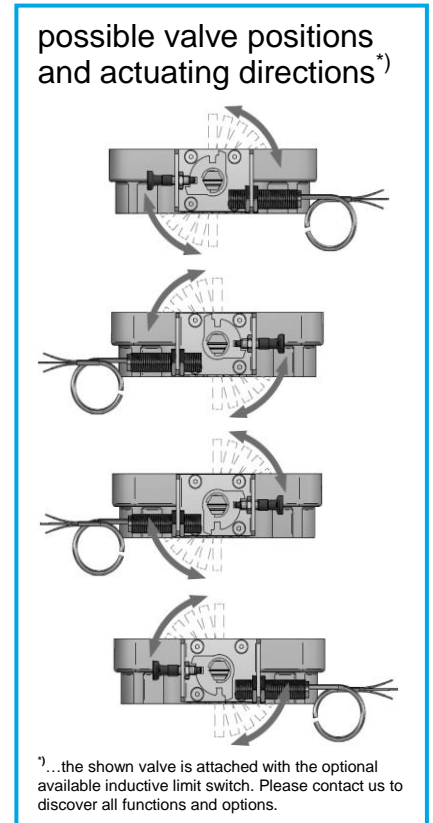
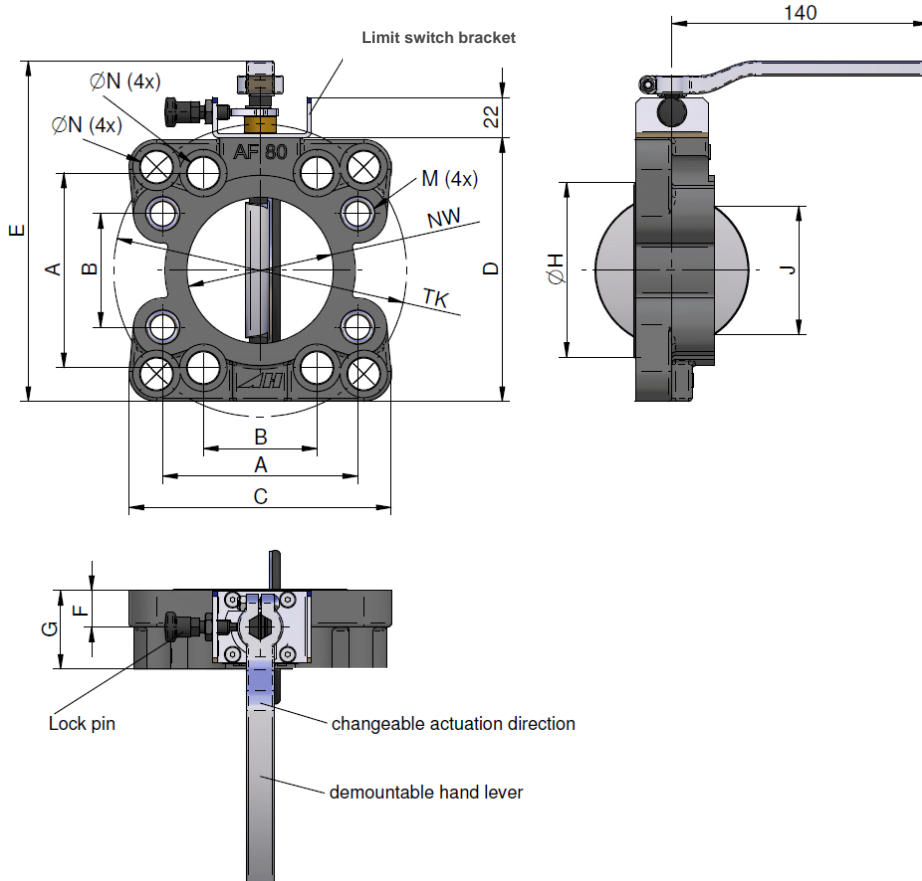


Butterfly Flange

SAE 2", SAE 2 1/2" and SAE 3" aluminium design

The asa butterfly flange with SAE and DIN connections allows the combination with an elastic element (rubber compensator) to make a short compensating and economical connection with the pump port. The lever position can be changed through our new mechanism.

The handle direction (clockwise or counter clockwise) can be changed by turning the switch bracket. Please note that the butterfly flange may only be opened in mounted state and with greased or lubricated sealing. The adapter flange may only be welded with demounted butterfly flange. Please contact us for further information at support@asahydraulik.com or www.asahydraulik.com.



Technical Data

description	order number	size		A	B	C	D	E	F	G	Ø H	J	M	Ø N	NW	TK	weight
		SAE	DIN	[mm]	[mm]	[mm]	[mm]	[mm]	[mm]	[mm]	[mm]	[mm]	[mm]	[mm]	[mm]	[mm]	[kg]
AF 50 Alu.	SDA0050A	2"	50	77,8	42,9	112	112	155	20	43	73	35,8	M12	13,5	50	125	1,05
AF 63 Alu.	SDA0063A	2 1/2"	65	89	50,8	111	119	161	20	43	83	55,3	M12	13,5	63	125	1,09
AF 80 Alu.	SDA0080A	3"	80	106,4	62	144	145	187	20	43	95	73,9	M16	18	80	160	1,48

working ranges

max. working pressure	7 bar
max. differential pressure	6 bar
temperature range	-20°C to +80°C

materials

housing	aluminium
lever	steel
valve disc	aluminium
seals	NBR

options

limit switch	mechanical or inductive type
--------------	------------------------------

This data sheet shows a technical overview of our products. Please contact us if more exact information is needed. As we are constantly improving our products, their characteristics, dimensions and weights may also change, although we do our best to incorporate these changes continually. The information in this data sheet is intended to be used as a first general guideline only. asa assumes no liability for any information therein, any errors, omissions, misprints, nor any direct or indirect damages, losses or costs resulting therefrom. The cooling performance and the general technical values indicated in this catalogue are measured at a test bench according to asa testing procedures. Because there is no standardized testing procedure, tests used by other manufacturers could have different results. Due to different conditions in testing and application environments the cooling performance may also vary by +/- 15%. Therefore we recommend all coolers to be checked under the system operating conditions. This is also true of vibrations and mechanical stress as well as for pressure peaks and thermal stress and any other relevant factors.