

Dual Filter OWD

250mm (10") – 500mm (20")



Dual Filters OWD

250mm (10") – 500mm (20")

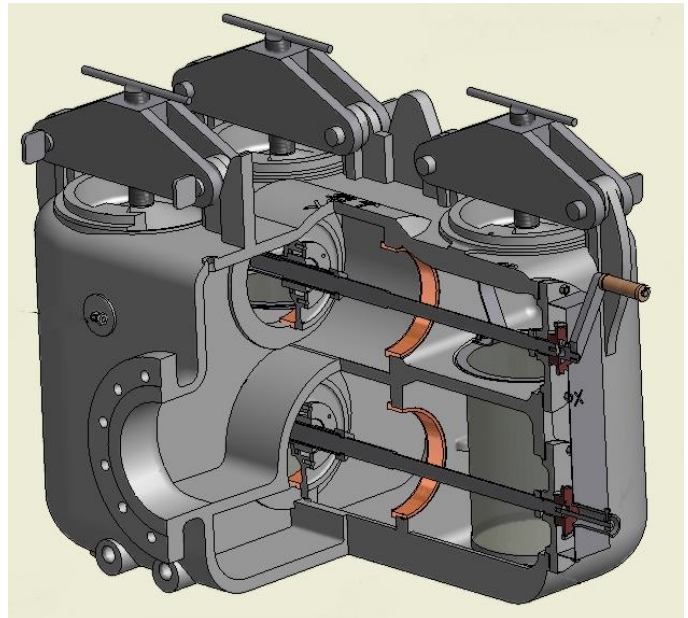
The OWD Dual Filters are designed with two filtration chambers isolated from each other by an internal valve arrangement, for applications that require a continuous flow whilst the filter is being cleaned. The OWD has a rugged and positive method to changeover from the operating to the standby chamber using two disc valves operated by screwed shafts. The two shafts are interconnected giving a simultaneous action ensuring that a filtration chamber is always in operation.

The two baskets per chamber offer a large filtration area, ease of removal and are easily accessed through the Quick Opening Covers.

The OWD is available in six sizes up to 20in and can be offered in Cast Iron, Cast Steel and Cast Stainless Steel as standard options.

Other materials are also available such as Duplex SS, Super Duplex SS and Aluminium Bronze.

The baskets are constructed of Stainless Steel but can also be supplied in alternative materials to suit the application.



Standard Features

- Hand Operated Changeover
- No Tools Required for Basket Cleaning
- Basket Cleaning Without Interruption to Flow
- Pressure Equalizing Valve
- Changeover Valve Position Indicator

Options

- Differential Pressure Indicator/Switch
- Mesh Inserts from 20 – 300 Mesh
- External Paint finish
- Internal Lining
- Electric Actuation for Valve Changeover

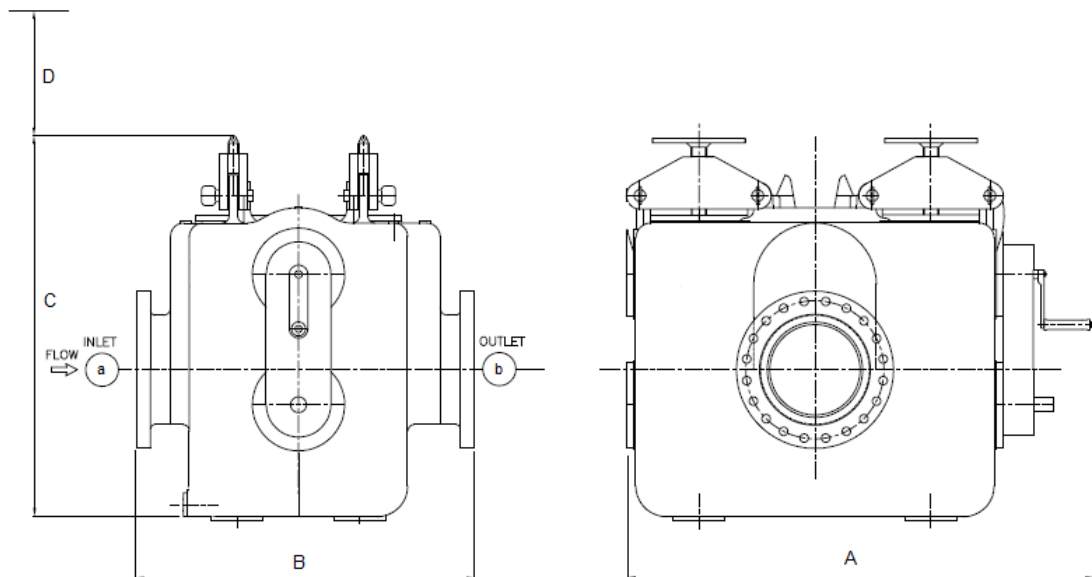
Design Data

Cast Iron (BS1452 GR 260)			Cast Steel (ASTM A216 WCB)		
Flange Rating	Design Pressure	Working Temp	Flange Rating	Design Pressure	Working Temp
ANSI 125 FF	10.3 Barg (150 PSIG) @38°C	0°C - 120°C	ANSI 150/300 RF	24 Barg (300 PSIG) @ 38°C	0°C - 200°C

Overall Dimensions

Filter Type	Branch Size	Max Flow m ³ /hr	A (mm)	B (mm)	C (mm)	D (mm)	Weight kg
OWD-10	10"	380	1505	1025	990	485	1370
OWD-12	12"		1505	1025	990	485	1370
OWD-14	14"	925	1735	1270	1400	890	2390
OWD-16	16"		1735	1270	1400	890	2390
OWD-18	18"		1735	1270	1400	890	2425
OWD-20	20"		1735	1270	1400	890	2425

N.B. All dimensions are approximate, Certified Drawings will be supplied at time of order
 Flow rates are subject to filtration level and confirmed upon request
 Max Flow Rates @0.2Bar PD





Dual Filter OWD

250mm – 500mm



SPX International Limited

Hambridge Road

Newbury

Berkshire

RG14 5TR

United Kingdom

airpel@spxflow.com

P: +44 (0) 1635 263915

F: +44 (0) 1635 36006

www.spxflow.com