



**be different.
make a difference.**

**Handling & Lifting Equipment
References**

References and Applications

Heavy duty forklift

Compact shut-off valves for hydraulic tank

- butterfly valve SAE 2 ½"
- butterfly valve SAE 3"



References and Applications

Hydraulic cooler / hot climate option for forklifts:

oil/air cooler LL 06 12V DC

- 12V DC fan unit
- with temp. switch IP69k
- up to 5kW @ 20lpm



References and Applications

Multi Purpose Vehicle

Compact high performance radiators
2 cooler setups for the hydraulic system:

- 5 kW oil cooler
- 8 kW oil cooler

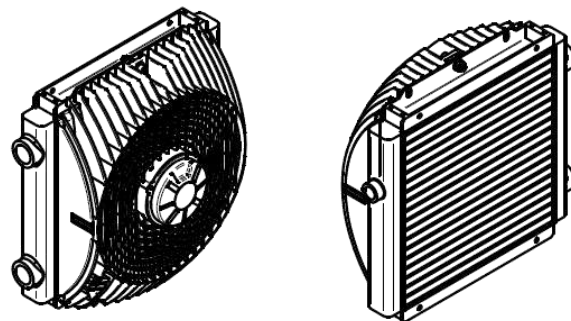


References and Applications

Dumper Truck

Hydraulic cooler, customized

- 2-pass oil/air cooler
- with 24V DC fan configuration



References and Applications

Mobile Telescoping Cranes

ASA 0177 DC oil/air cooler

- 24V DC h.p. fan
- internal 2bar bypass
- 26bar rating



Materials Handling References

References and Applications

Mobile Telescoping Cranes

TT 11 12V DC

- 12V DC h.p. fan
- UNF ports
- mounting brackets



References and Applications

Mobile Telescoping Cranes

ASA0176AD02

- 24V DC h.p. fan
- Easy clean wavy air fin
- 26bar rating



Materials Handling References



References and Applications

Truck mounted jib cranes

TT rail system oil coolers

- performance sizes up to 16
- various fan control configurations
- customized connectors and protection options



Materials Handling References

References and Applications

Truck mounted jib cranes

TT rail system coolers

- performance sizes up to TT25
- internal 2 bar bypass
- fan control setup integrated



References and Applications

**100% electric application,
2t to 16t excavator**

Cooling the circuits:

- hydraulic (ISO VG46)
- battery and e-motors (water/glycol)



Get in contact!

www.asahydraulik.com
support@asahydraulik.com
+43 1 292 40 20



AUSTRIA

asa hydraulik GmbH
R&D center
Prager Strasse 280
A-1210, Vienna

CHINA

asa Technology (Suzhou) Co. Ltd.
Jiangsu Suzhou Industrial Park
Fangzhou Road No 128,
area 6, building B

INDIA

asa heatexchanger Pvt Ltd
Plot no.1226, Phase-3 GIDC, Vatva
Ahmedabad-382445

BRASIL

asa hidráulica Ltda
Rua Maria Fett 96, 03263-000 Vil Mercedes
São Paulo, SP

AUSTRIA

asa technology Produktions-
und Vertriebs GmbH
Prager Strasse 241-243
A-1210, Vienna

USA

asa hydraulik of America
160 Meister Avenue 20 A
Branchburg, New Jersey 08876

AUSTRALIA

asa Products Pty Ltd
Quinlan Road 23
3076 Epping, Victoria

